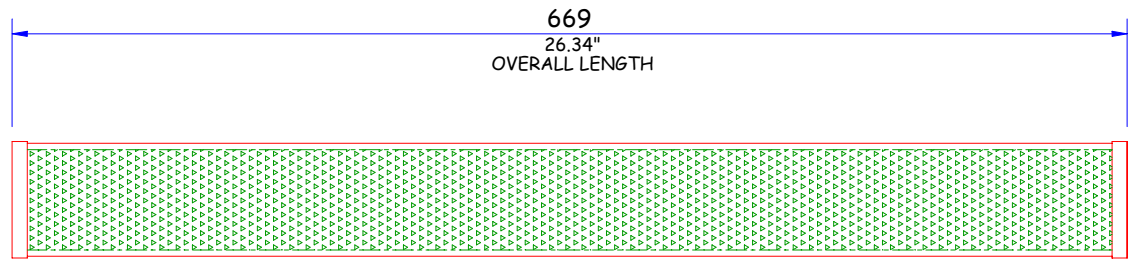
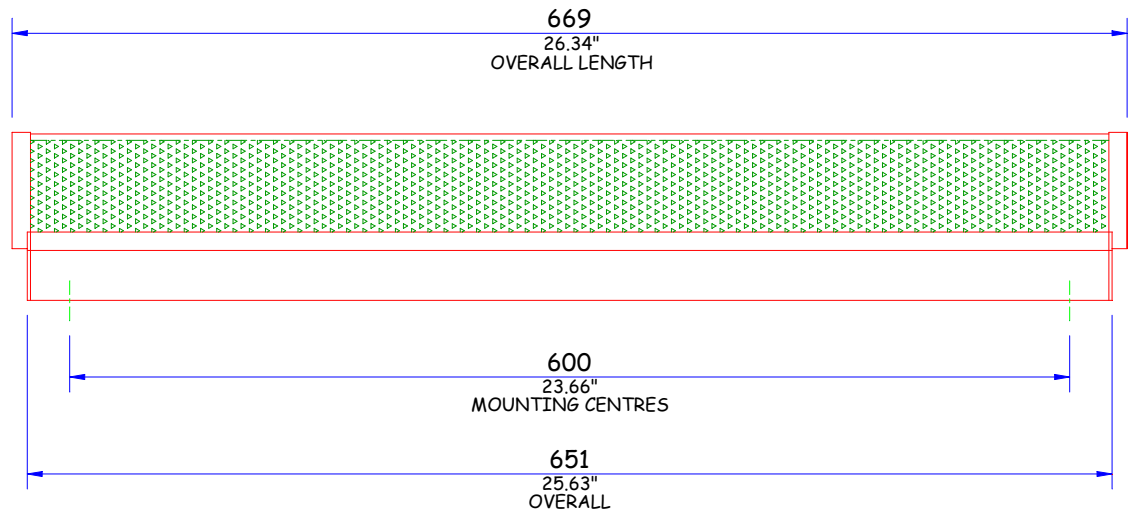


PLAN VIEW

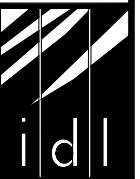


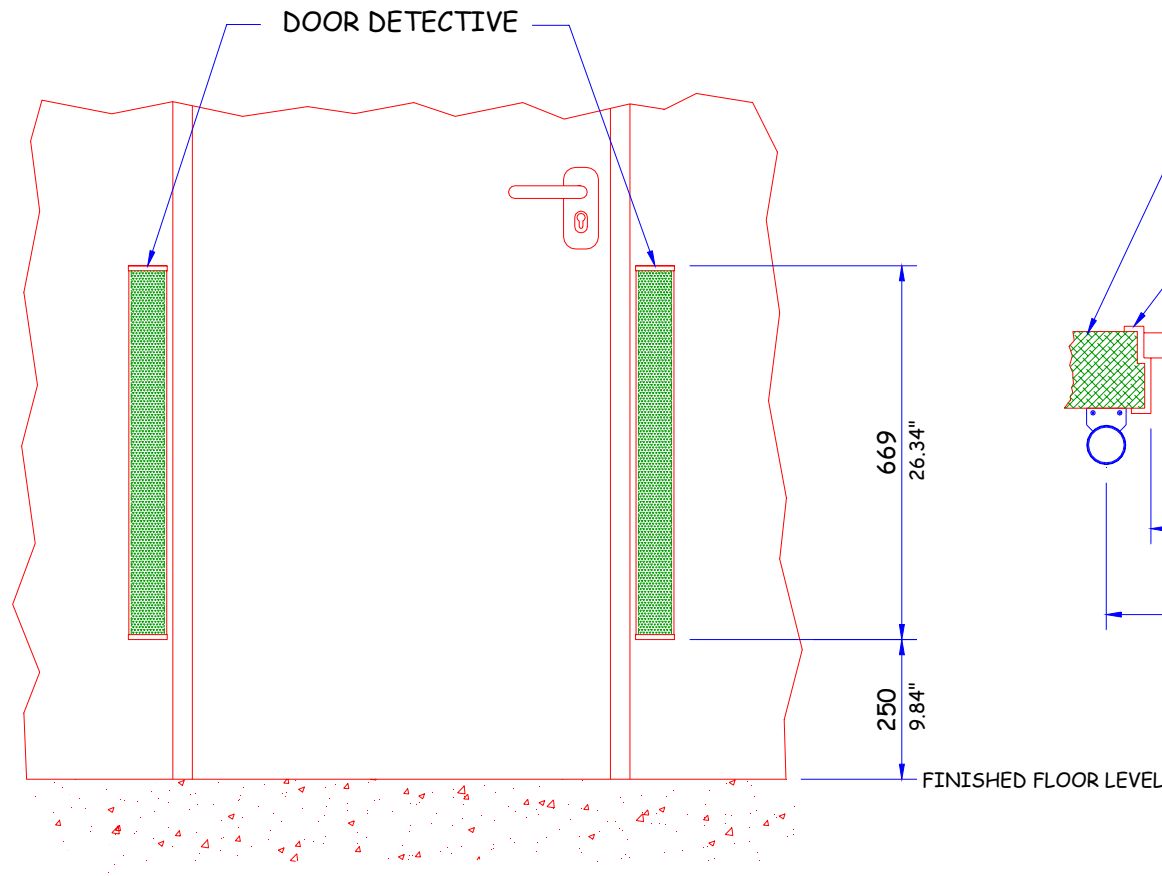
FRONT VIEW



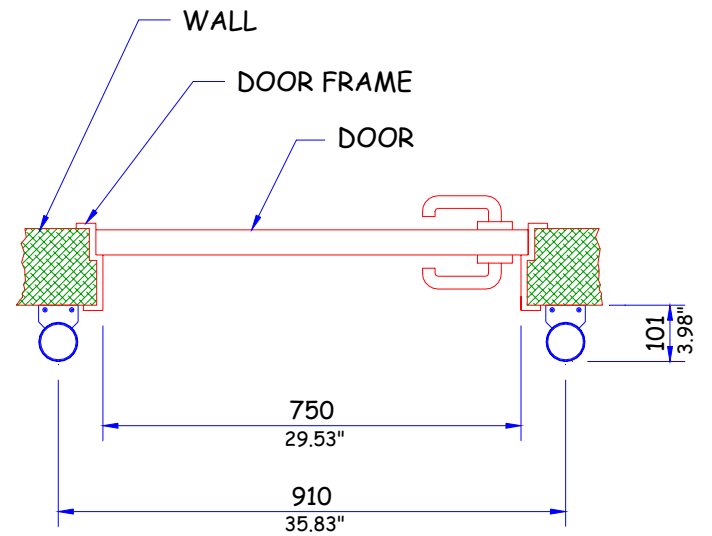
SIDE VIEW

PRODUCT: DOOR DETECTIVE	
TITLE: GENERAL DIMENSIONS	
DRAWN: RST	DRAWING No: S665_130_A0
DATE: 12.9.03	This document is the copyright of Integrated Design Ltd



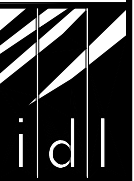


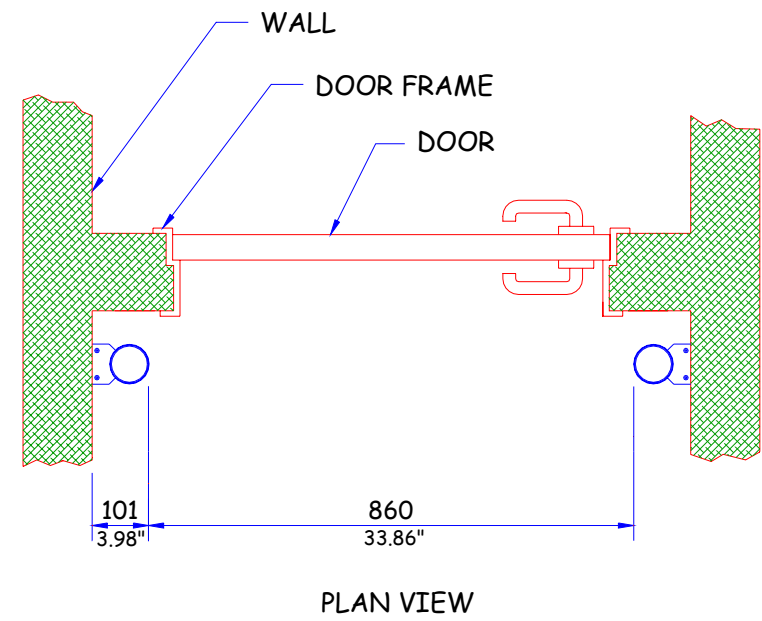
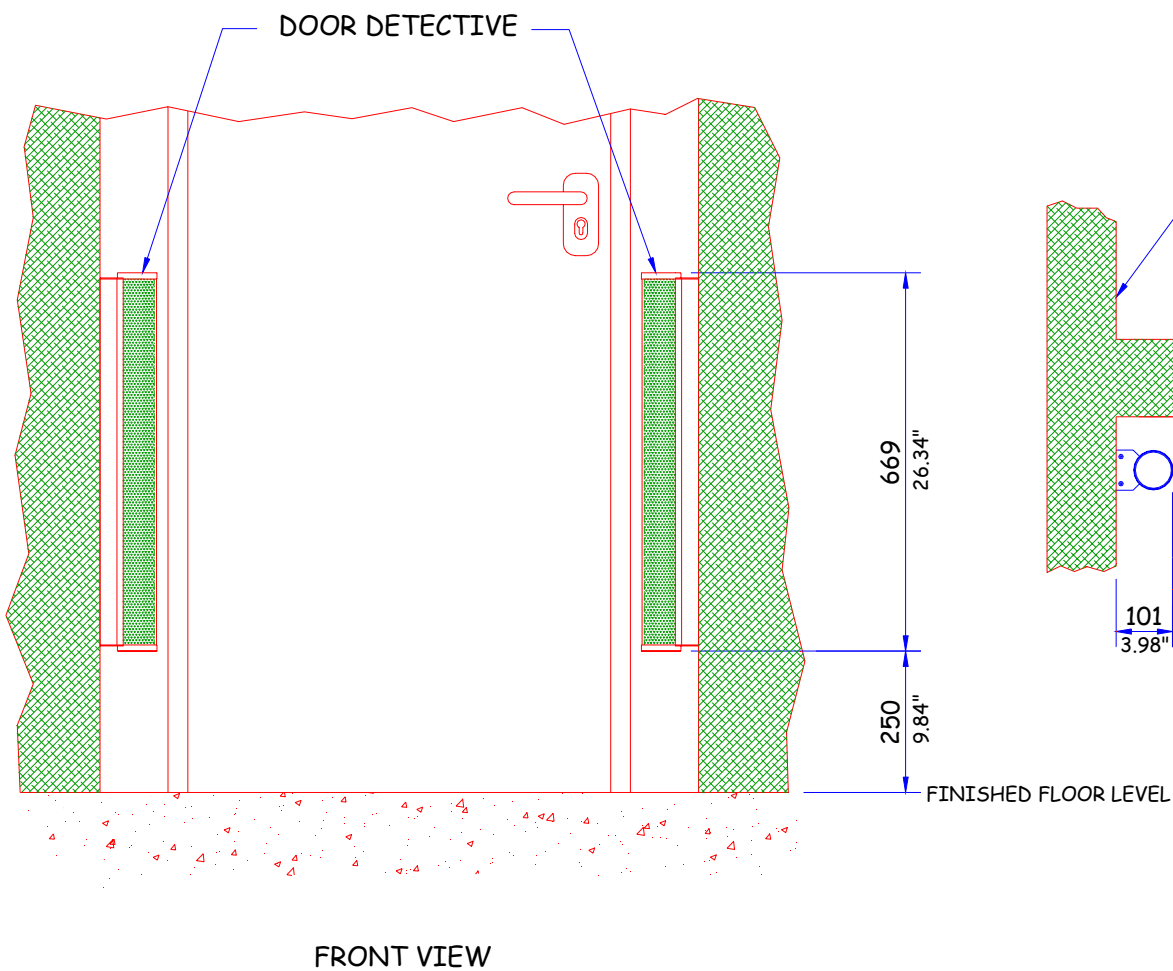
FRONT VIEW

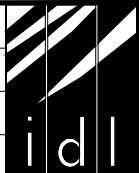


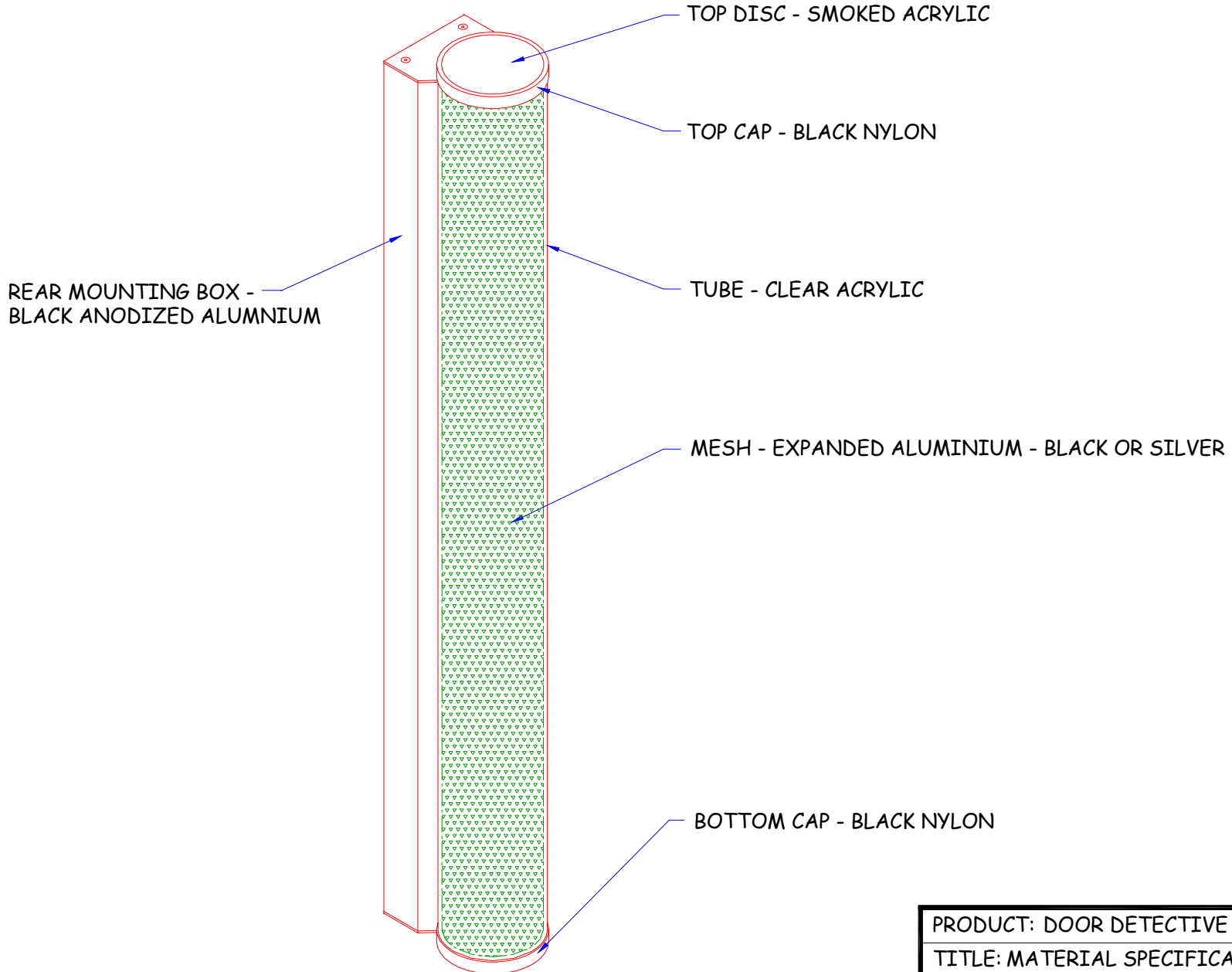
PLAN VIEW

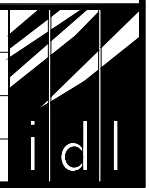
PRODUCT: DOOR DETECTIVE	
TITLE: GENERAL LAYOUT - DOOR MOUNTED	
DRAWN: RST	DRAWING No: S665_131_A0
DATE: 12.9.03	This document is the copyright of Integrated Design Ltd

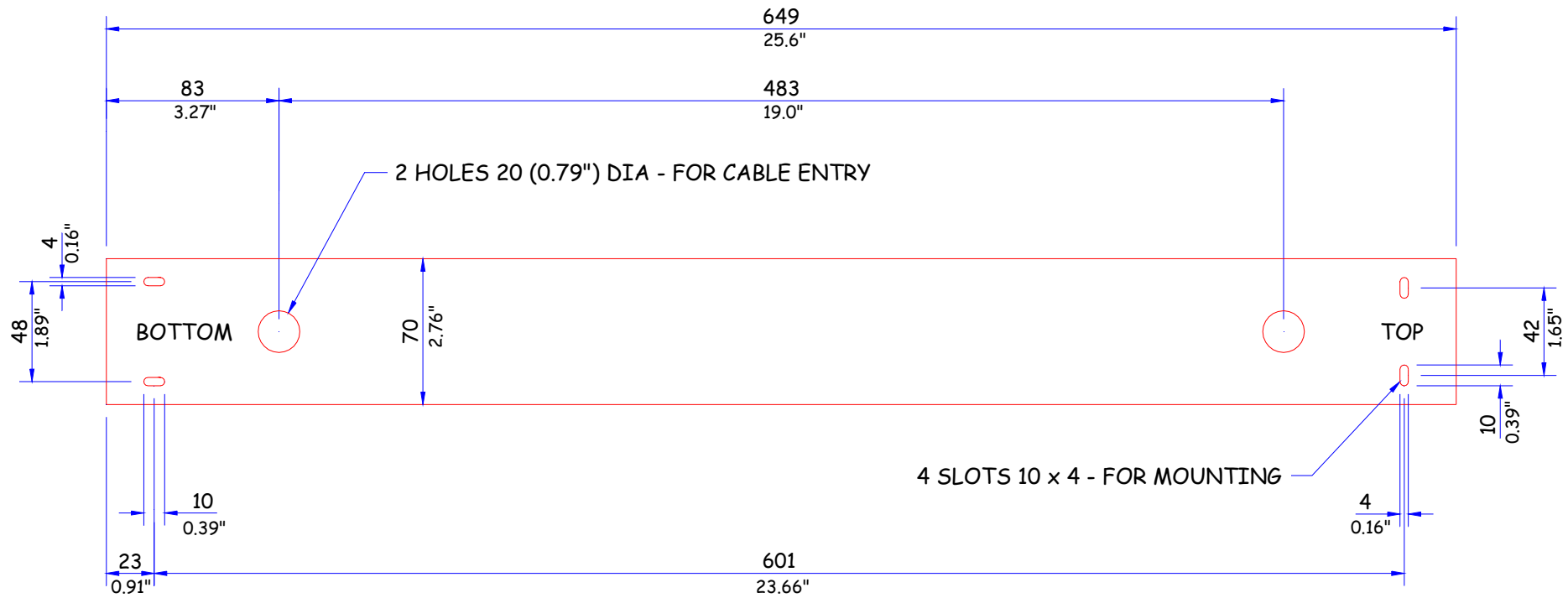




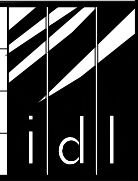
PRODUCT: DOOR DETECTIVE		
TITLE: GENERAL LAYOUT - WALL MOUNTED		
DRAWN: RST	DRAWING No: S665_132_A0	
DATE: 12.9.03	This document is the copyright of Integrated Design Ltd	

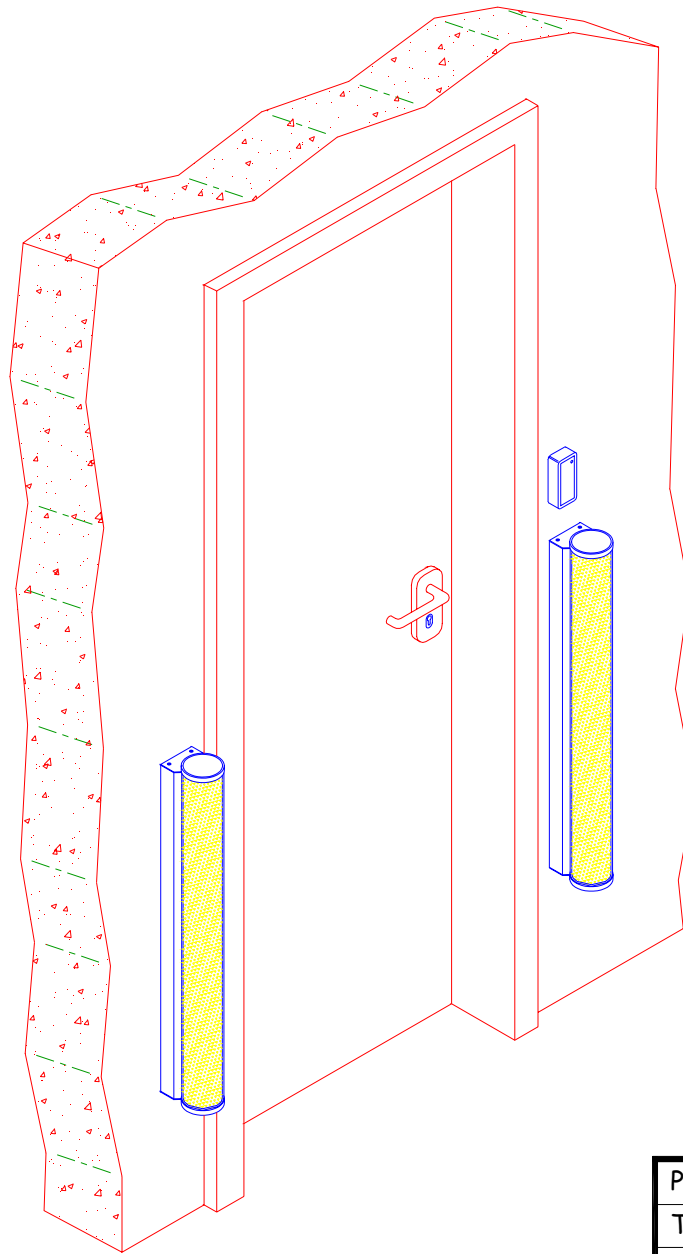


PRODUCT: DOOR DETECTIVE		
TITLE: MATERIAL SPECIFICATIONS		
DRAWN: RST	DRAWING No: S665_133_A0	
DATE: 12.9.03	This document is the copyright of Integrated Design Ltd	



PRODUCT: DOOR DETECTIVE	
TITLE: MOUNTING DIMENSIONS	
DRAWN: RST	DRAWING No: S665_134_A0
DATE: 12.9.03	This document is the copyright of Integrated Design Ltd





PRODUCT: DOOR DETECTIVE	
TITLE: TYPICAL INSTALLATION	
DRAWN: RST	DRAWING No: S665_135_A0
DATE: 12.9.03	This document is the copyright of Integrated Design Ltd

