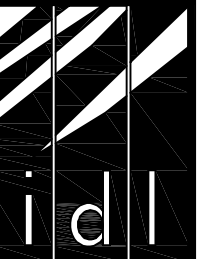
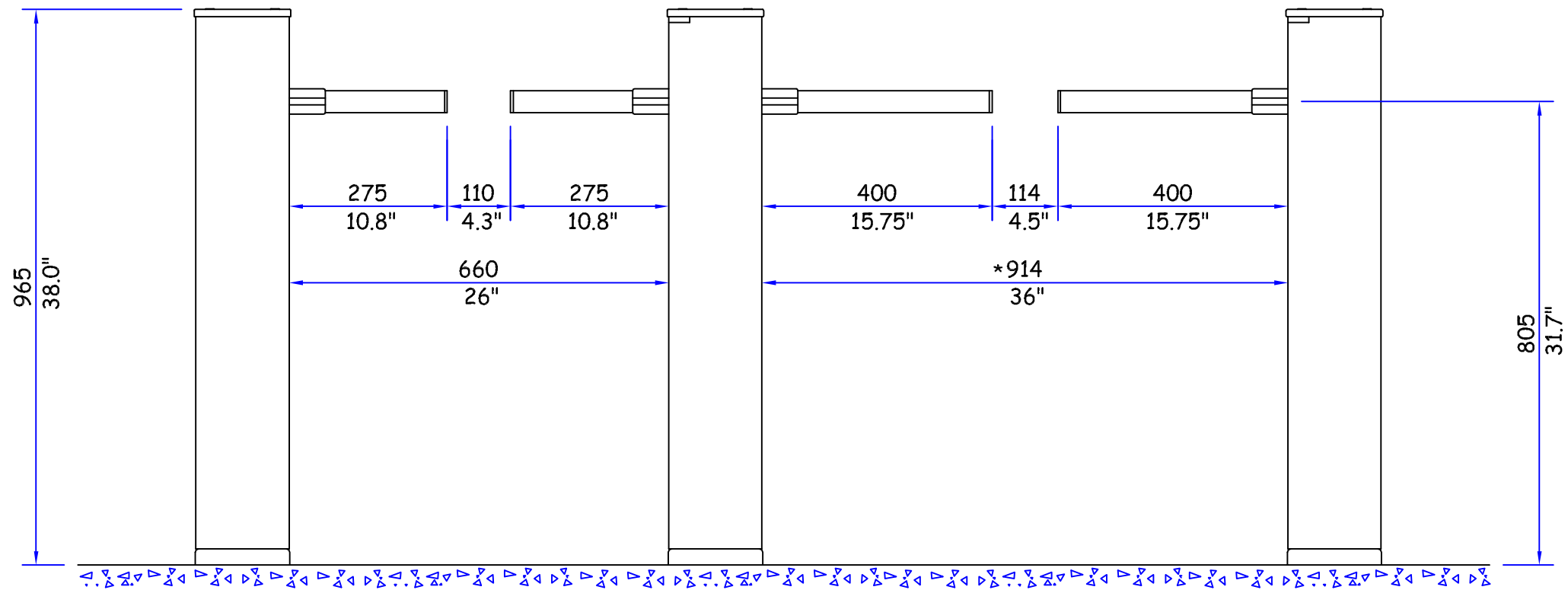
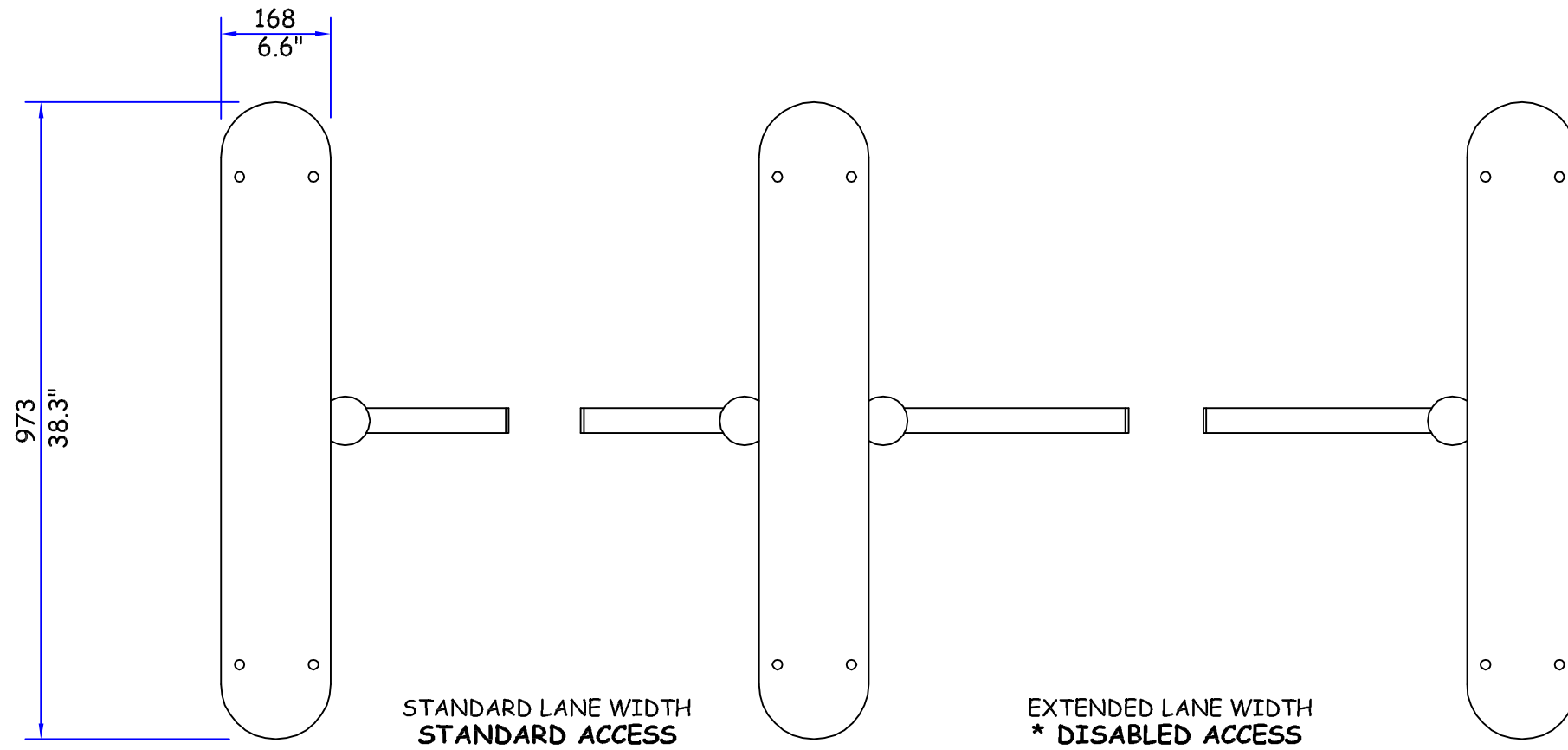


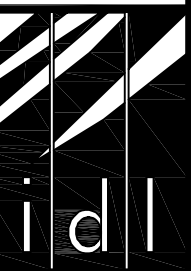
PRODUCT: FASTLANE PLUS R400	
TITLE: GENERAL DIMENSIONS	
DRAWN: RST	DRAWING No: S665_460_A2
DATE: 25.3.08	This document is the copyright of Integrated Design Ltd

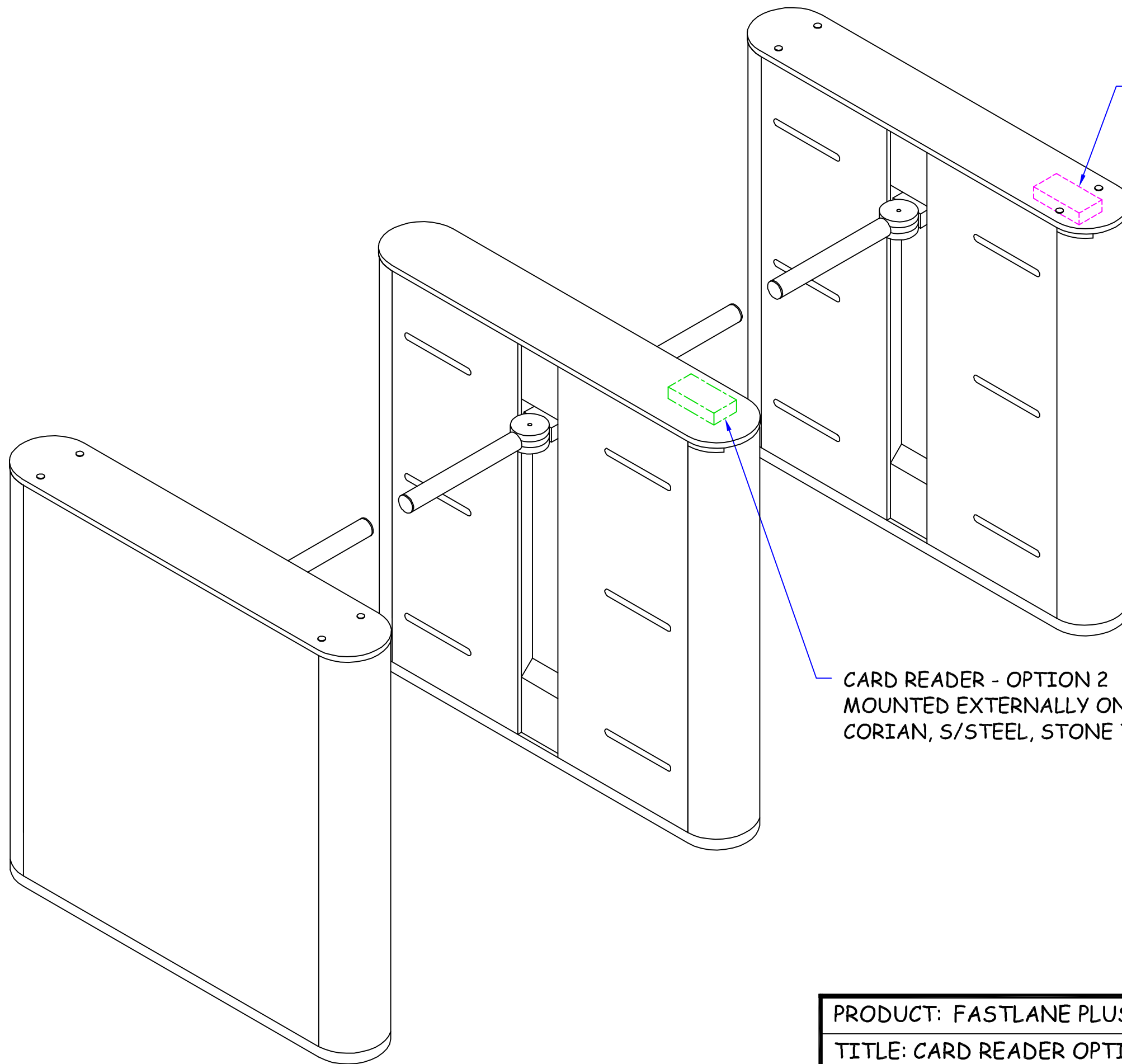




* SUBJECT TO LOCAL LEGISLATION

PRODUCT: FASTLANE PLUS R400	
TITLE: GENERAL LAYOUT	
DRAWN: RST	DRAWING No: S665_461_A2
DATE: 25.3.08	This document is the copyright of Integrated Design Ltd

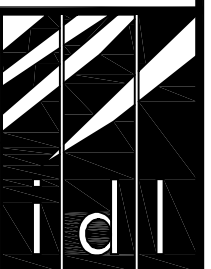


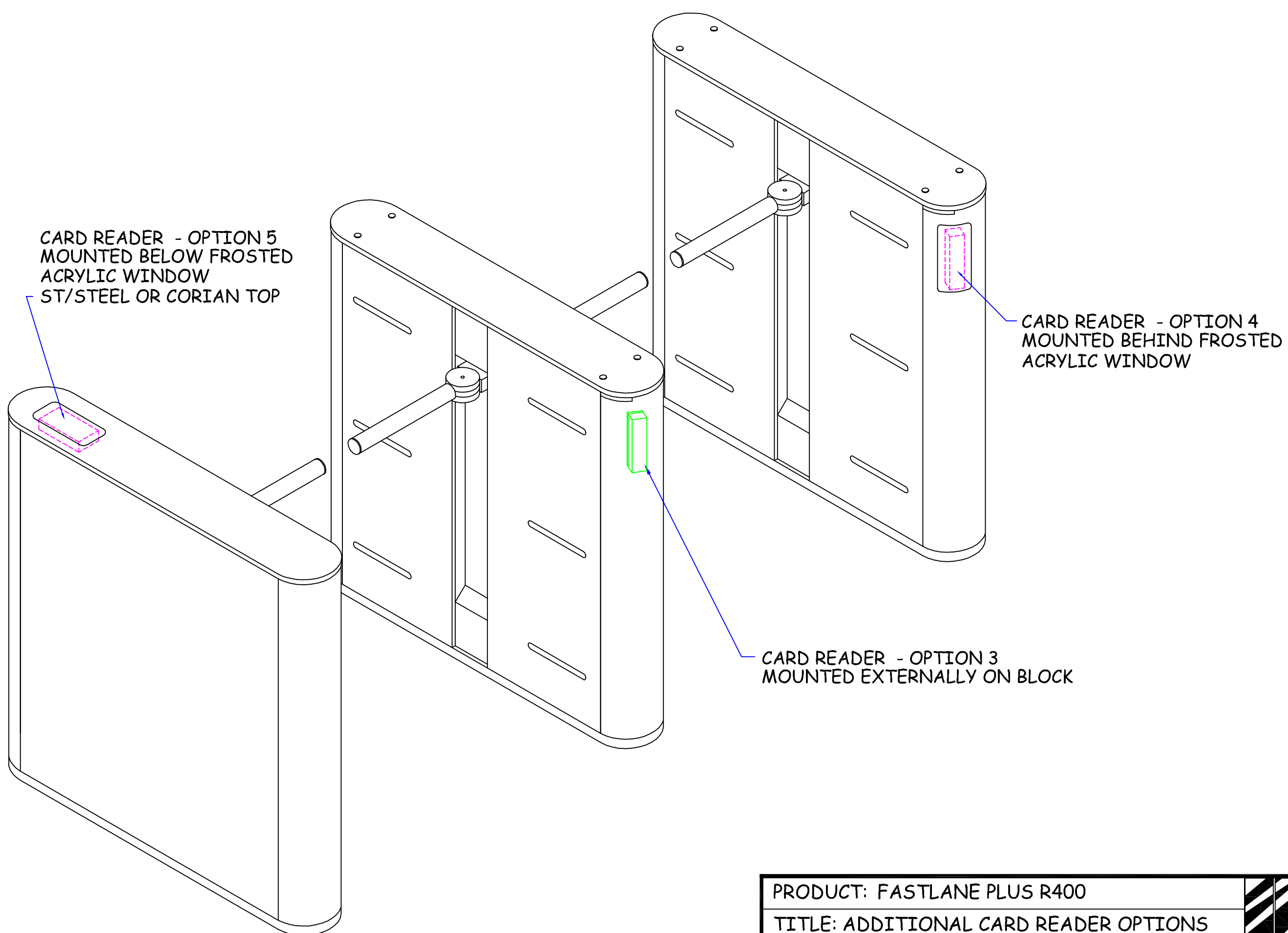


CARD READER - OPTION 1
MOUNTED BELOW GLASS TOP
AVAILABLE AREA 250 x 115 x 70
(10" x 4.5" x 2.75" APPROX.)

CARD READER - OPTION 2
MOUNTED EXTERNALLY ON
CORIAN, S/STEEL, STONE TOP

PRODUCT: FASTLANE PLUS R400	
TITLE: CARD READER OPTIONS	
DRAWN: RST	DRAWING No: S665_463_A1
DATE: 25.3.08	This document is the copyright of Integrated Design Ltd



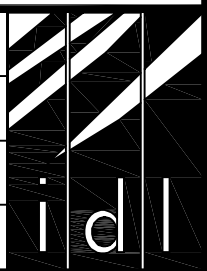


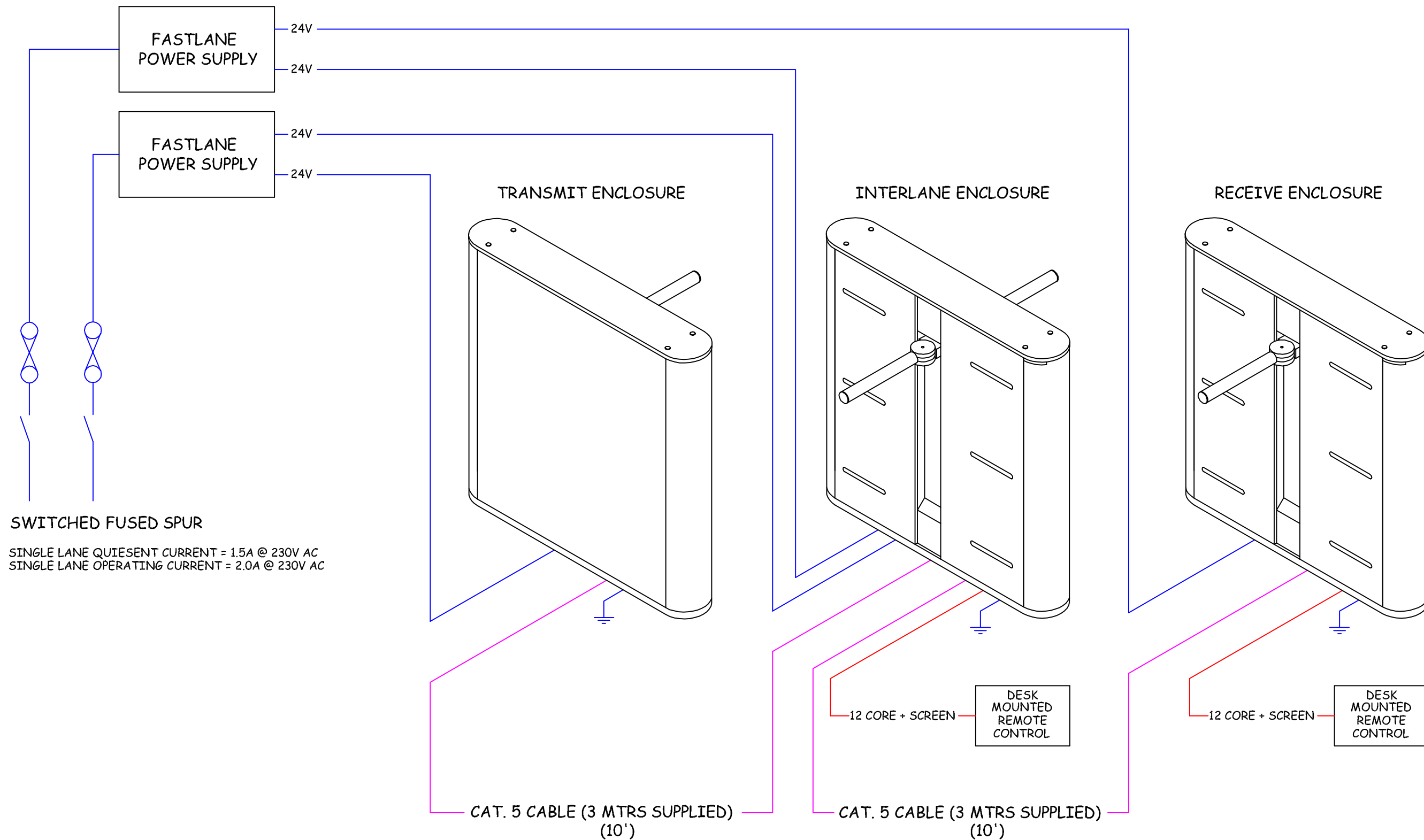
CARD READER - OPTION 5
MOUNTED BELOW FROSTED
ACRYLIC WINDOW
ST/STEEL OR CORIAN TOP

CARD READER - OPTION 4
MOUNTED BEHIND FROSTED
ACRYLIC WINDOW

CARD READER - OPTION 3
MOUNTED EXTERNALLY ON BLOCK

PRODUCT: FASTLANE PLUS R400	
TITLE: ADDITIONAL CARD READER OPTIONS	
DRAWN: RST	DRAWING No: S665_464_A1
DATE: 9.5.08	This document is the copyright of Integrated Design Ltd





THIS DRAWING SHOWS THE FASTLANE PLUS CABLING REQUIREMENTS. IT IS TO BE READ IN CONJUNCTION WITH DRAWING 665_468_A1, WHICH SHOWS THE CABLING REQUIREMENTS FOR THE ACCESS CONTROL INTEGRATION. FOR FURTHER INFORMATION, REFER TO THE INSTALLATION MANUAL.

PRODUCT: FASTLANE PLUS R400

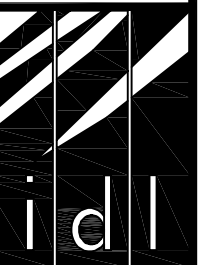
TITLE: CABLING REQUIREMENTS

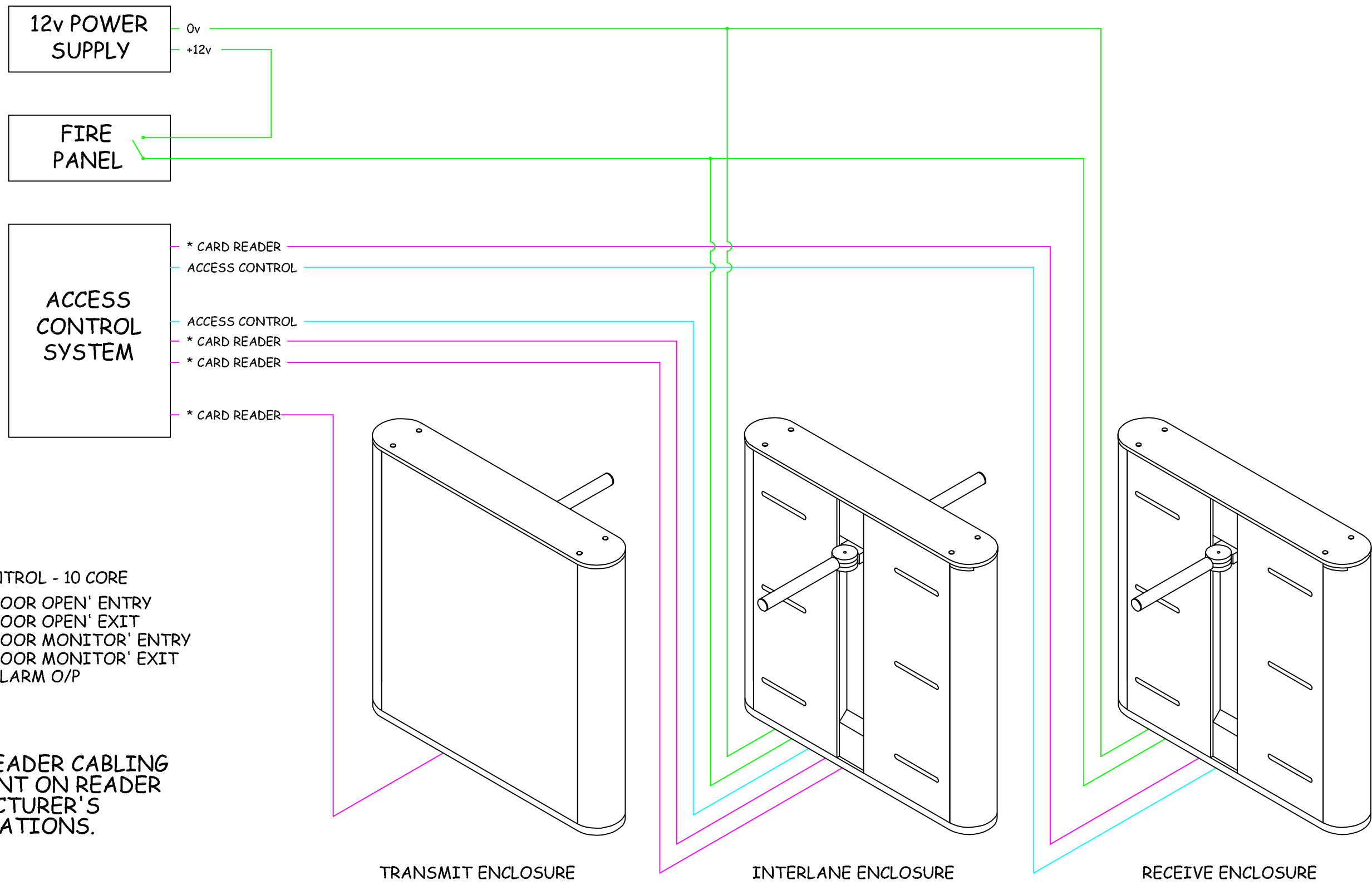
DRAWN: RST

DRAWING No: S665_467_A1

DATE: 25.3.08

This document is the copyright of
Integrated Design Ltd





ACCESS CONTROL - 10 CORE
 <IP 'DOOR OPEN' ENTRY
 IP> 'DOOR OPEN' EXIT
 <ENT 'DOOR MONITOR' ENTRY
 ENT> 'DOOR MONITOR' EXIT
 ALR ALARM O/P

* CARD READER CABLING
 DEPENDENT ON READER
 MANUFACTURER'S
 SPECIFICATIONS.

THIS DRAWING SHOWS THE ACCESS CONTROL INTEGRATION REQUIREMENTS.
 IT IS TO BE READ IN CONJUNCTION WITH DRAWING 665_467_A1
 WHICH SHOWS THE FASTLANE PLUS CABLING REQUIREMENTS.
 FOR FURTHER INFORMATION, REFER TO THE INSTALLATION MANUAL.

PRODUCT: FASTLANE PLUS R400	
TITLE: CABLING REQUIREMENTS	
DRAWN: RST	DRAWING No: S665_468_A1
DATE: 25.3.08	This document is the copyright of Integrated Design Ltd

