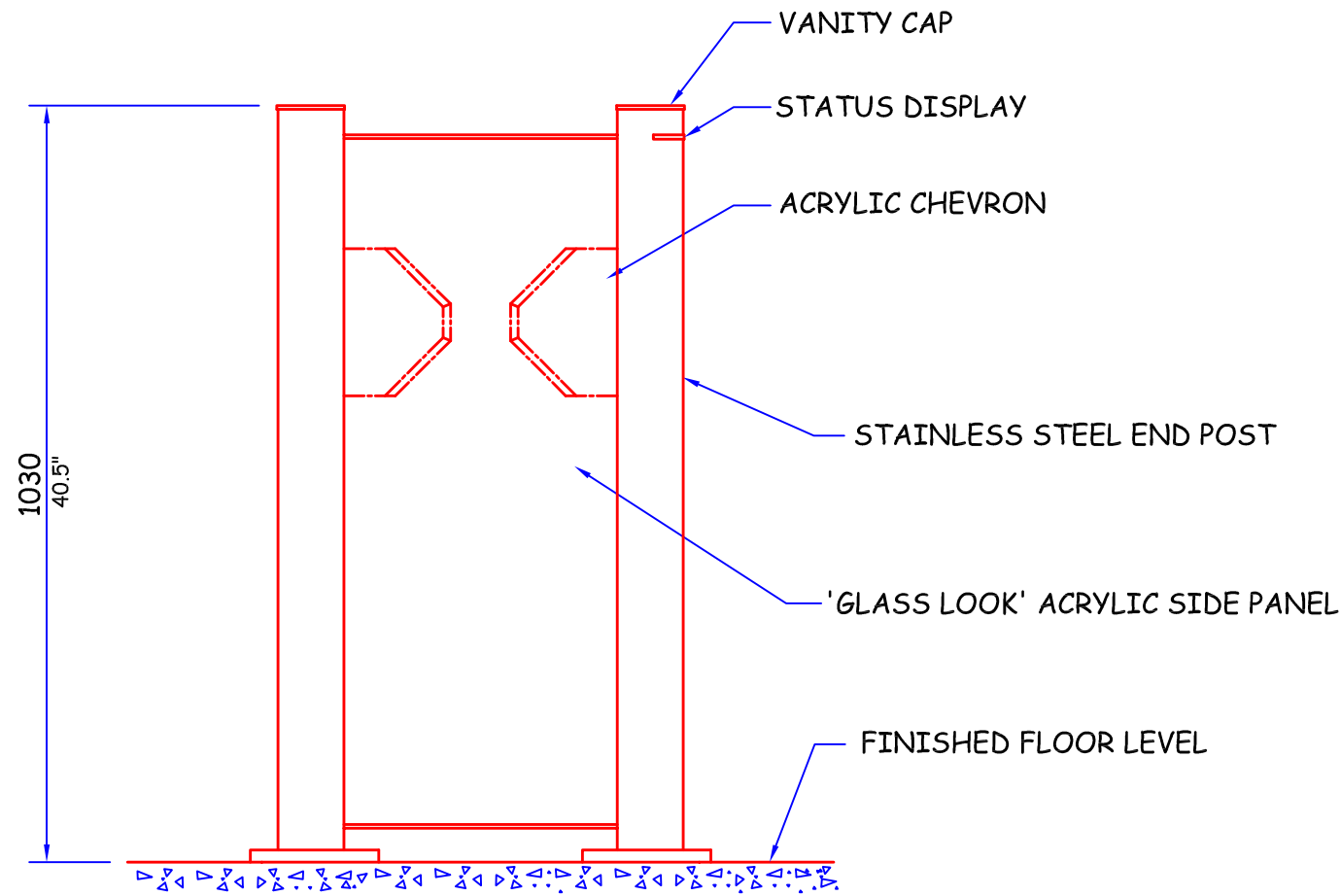
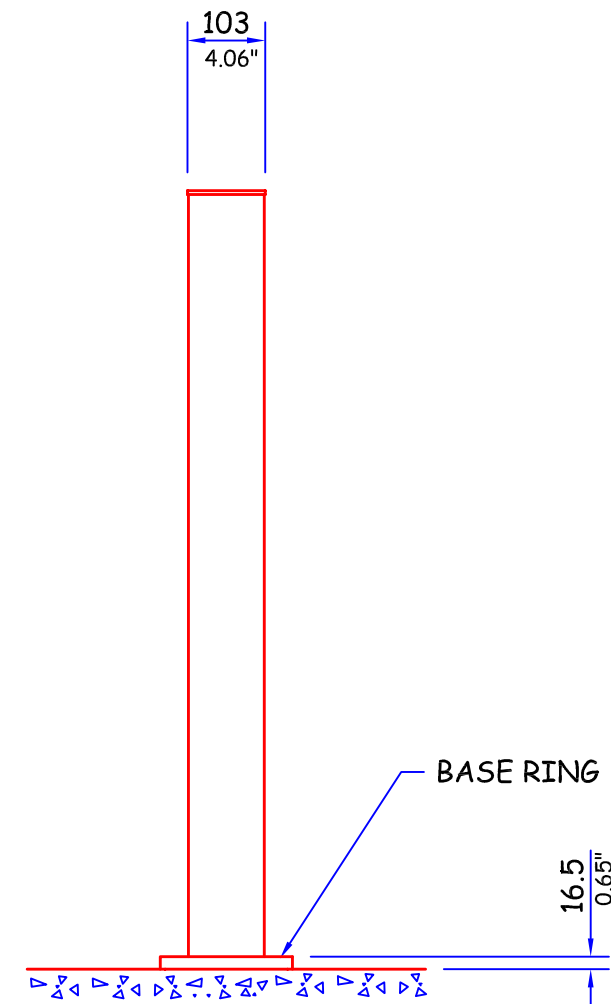


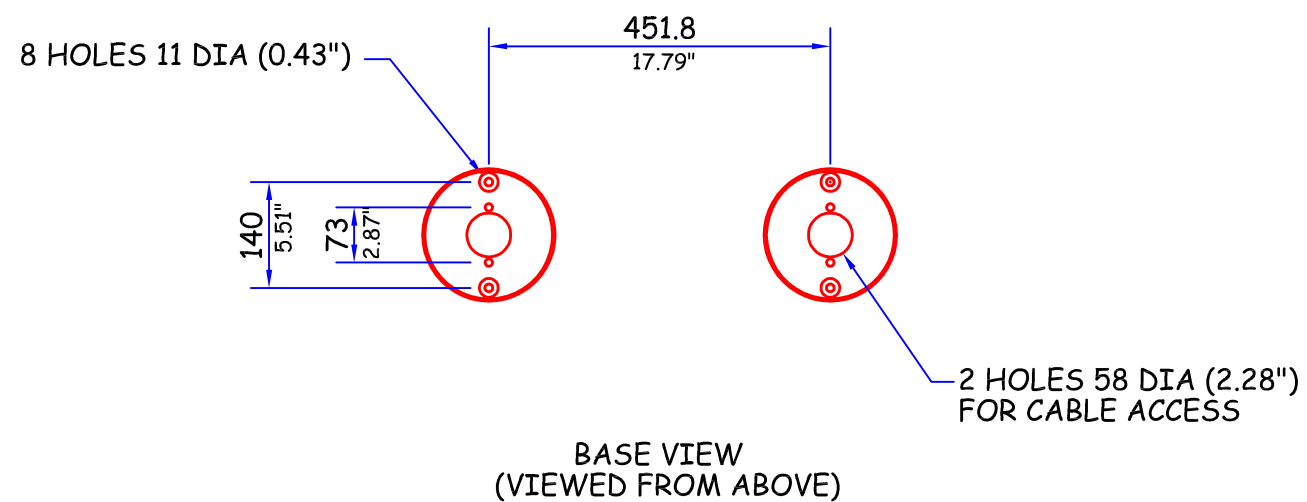
TOP VIEW



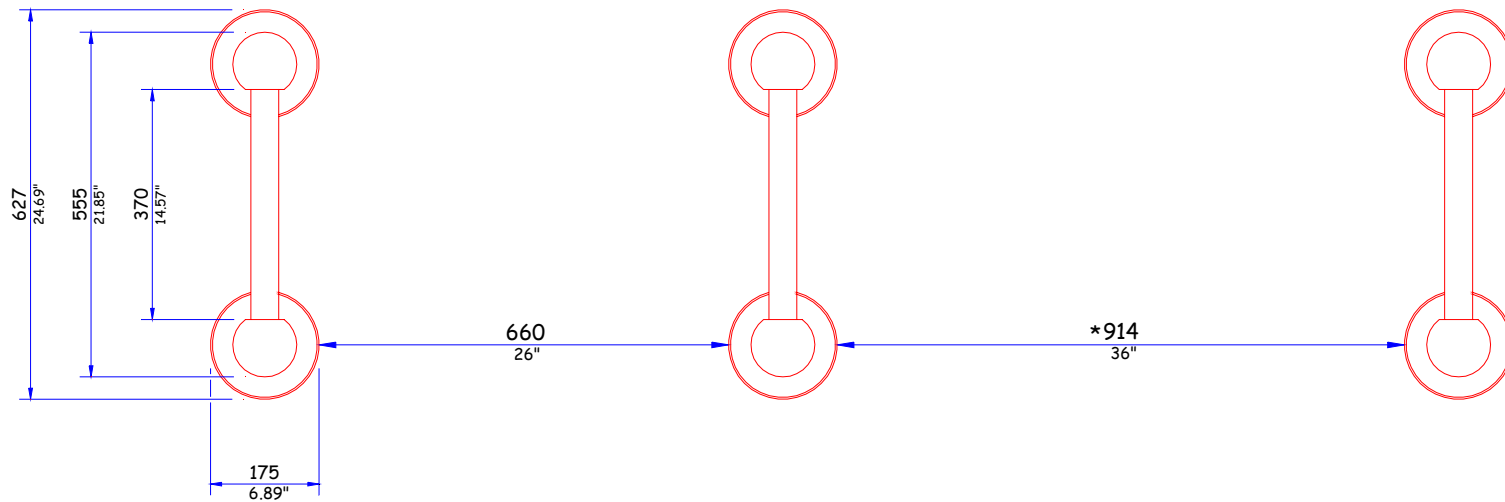
SIDE VIEW



END VIEW



PRODUCT: CLEARSTYLE		
TITLE: GENERAL DIMENSIONS		
DRAWN: RST	DRAWING No: S665_60_A1	
DATE: 1.3.03	This document is the copyright of Integrated Design Ltd	

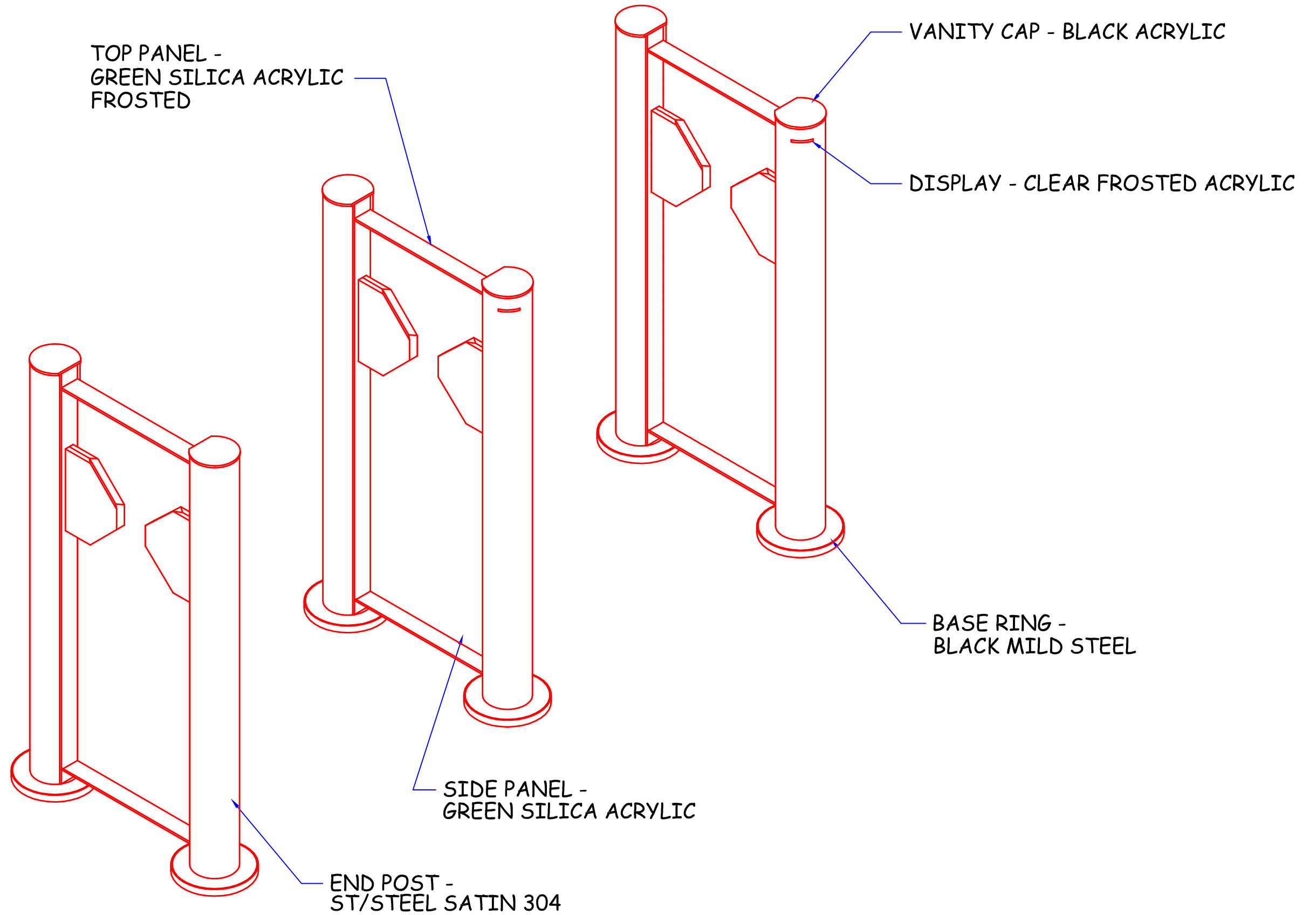


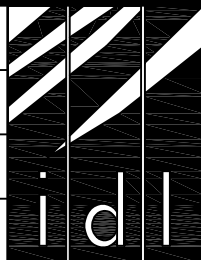
STANDARD LANE WIDTH  
STANDARD ACCESS

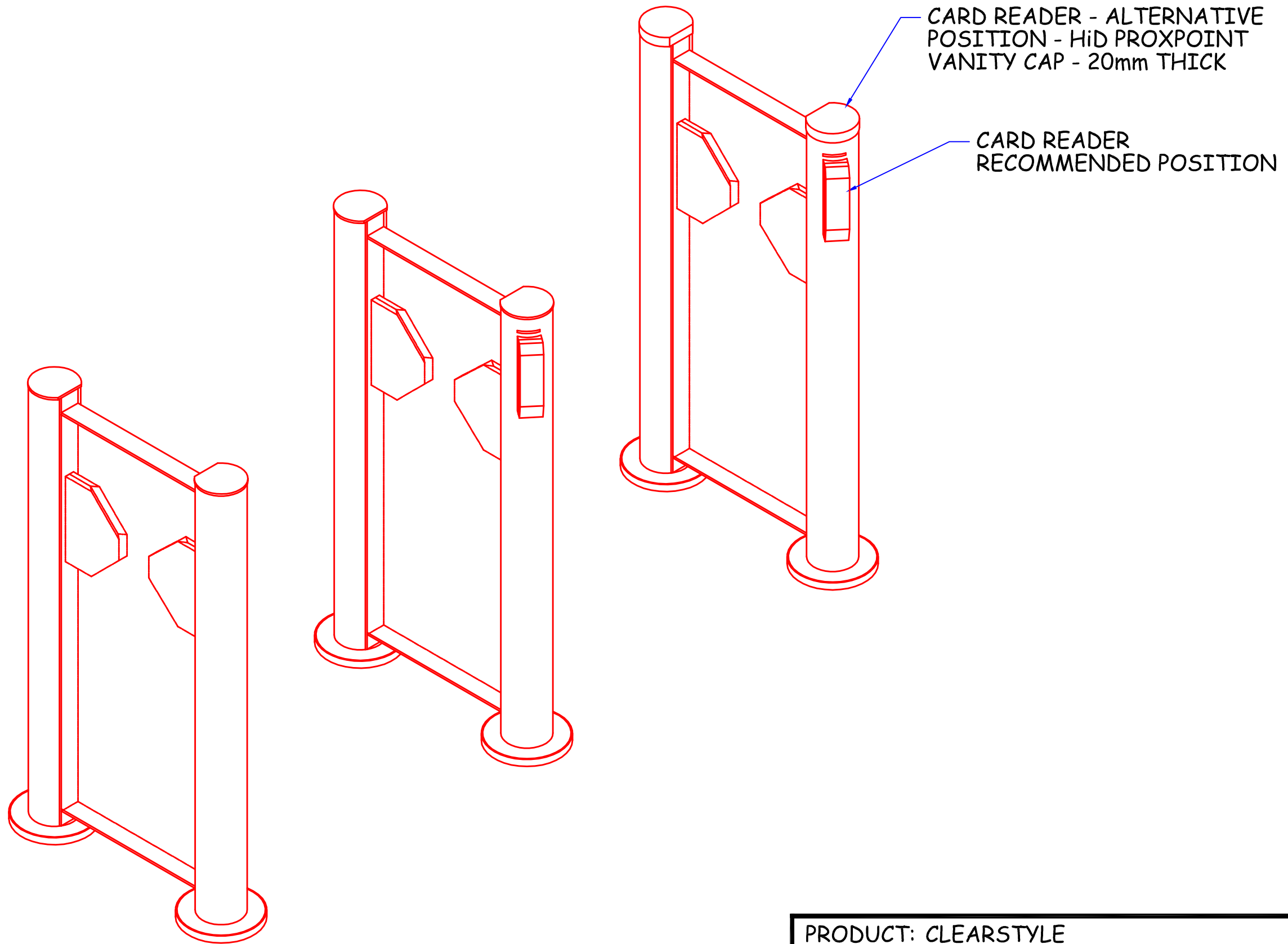
EXTENDED LANE WIDTH  
\* DISABLED ACCESS

\* SUBJECT TO LOCAL LEGISLATION

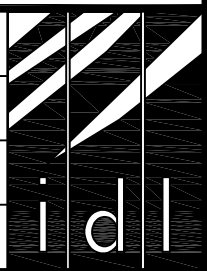
PRODUCT: CLEARSTYLE		
TITLE: GENERAL LAYOUT		
DRAWN: RST	DRAWING No: S665_61_A2	
DATE: 1.3.03	This document is the copyright of Integrated Design Ltd	



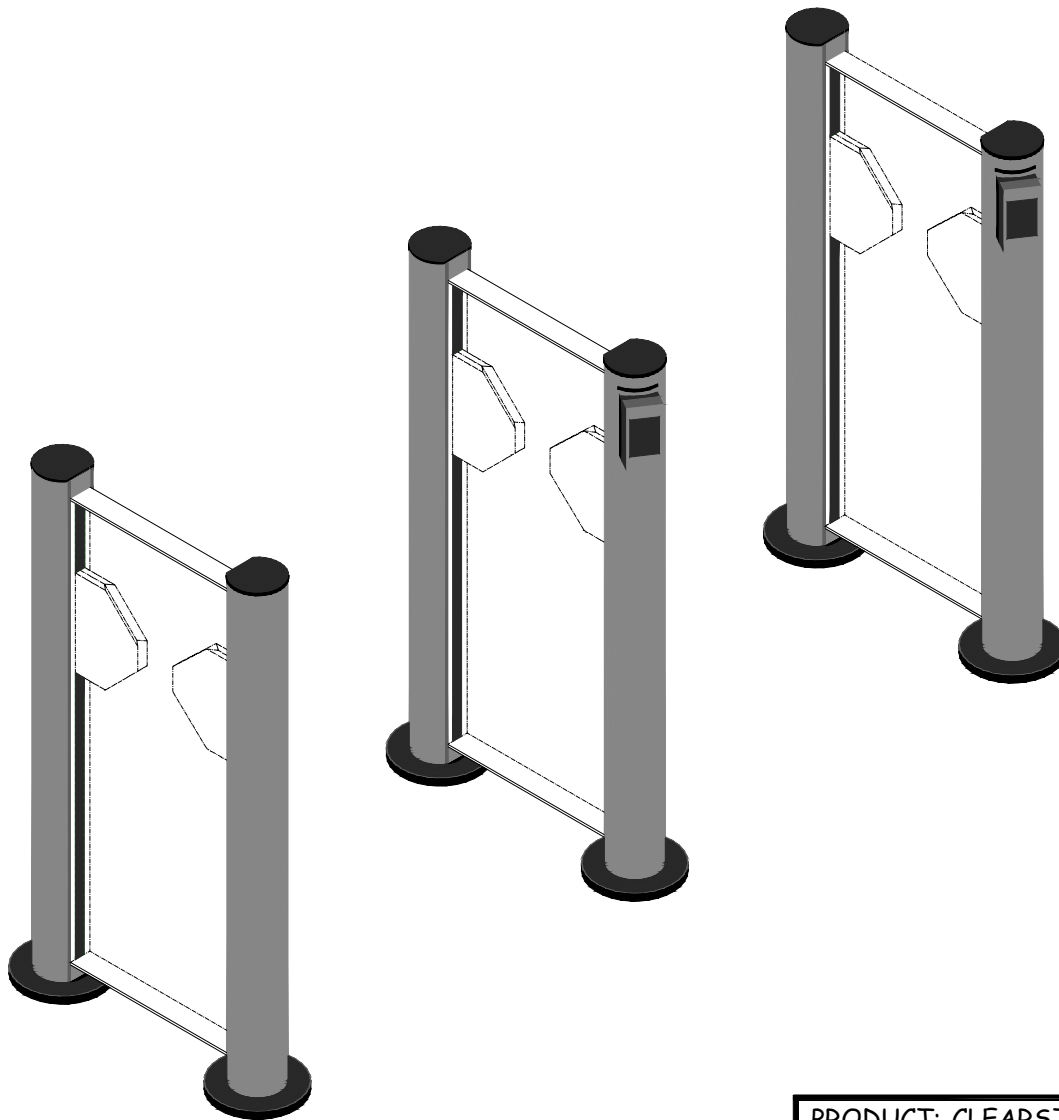
PRODUCT: CLEARSTYLE		
TITLE: MATERIAL SPECIFICATIONS		
DRAWN: RST	DRAWING No: S665_63_A1	
DATE: 1.3.03	This document is the copyright of Integrated Design Ltd	



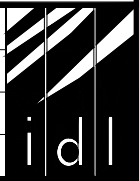
PRODUCT: CLEARSTYLE	
TITLE: CARD READER POSITIONING	
DRAWN: RST	DRAWING No: S665_64_A1
DATE: 1.3.03	This document is the copyright of Integrated Design Ltd

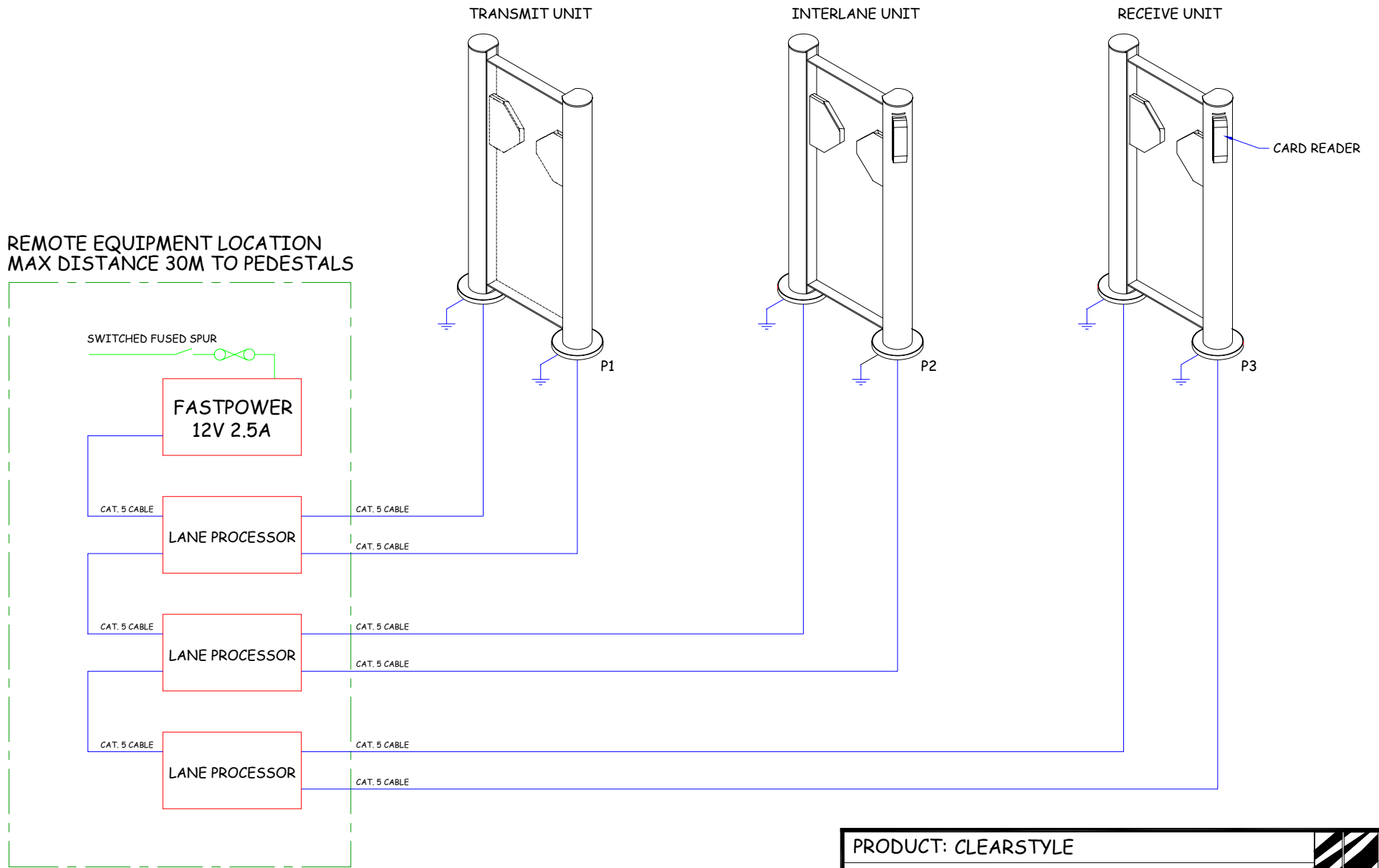






PRODUCT: CLEARSTYLE	
TITLE: GENERAL VIEW	
DRAWN: RST	DRAWING No: S665_66_A1
DATE: 1.3.03	This document is the copyright of Integrated Design Ltd





PRODUCT: CLEARSTYLE	
TITLE: CABLING REQUIREMENTS	
DRAWN: RST	DRAWING No: S665_67_A1
DATE: 1.3.03	This document is the copyright of Integrated Design Ltd



