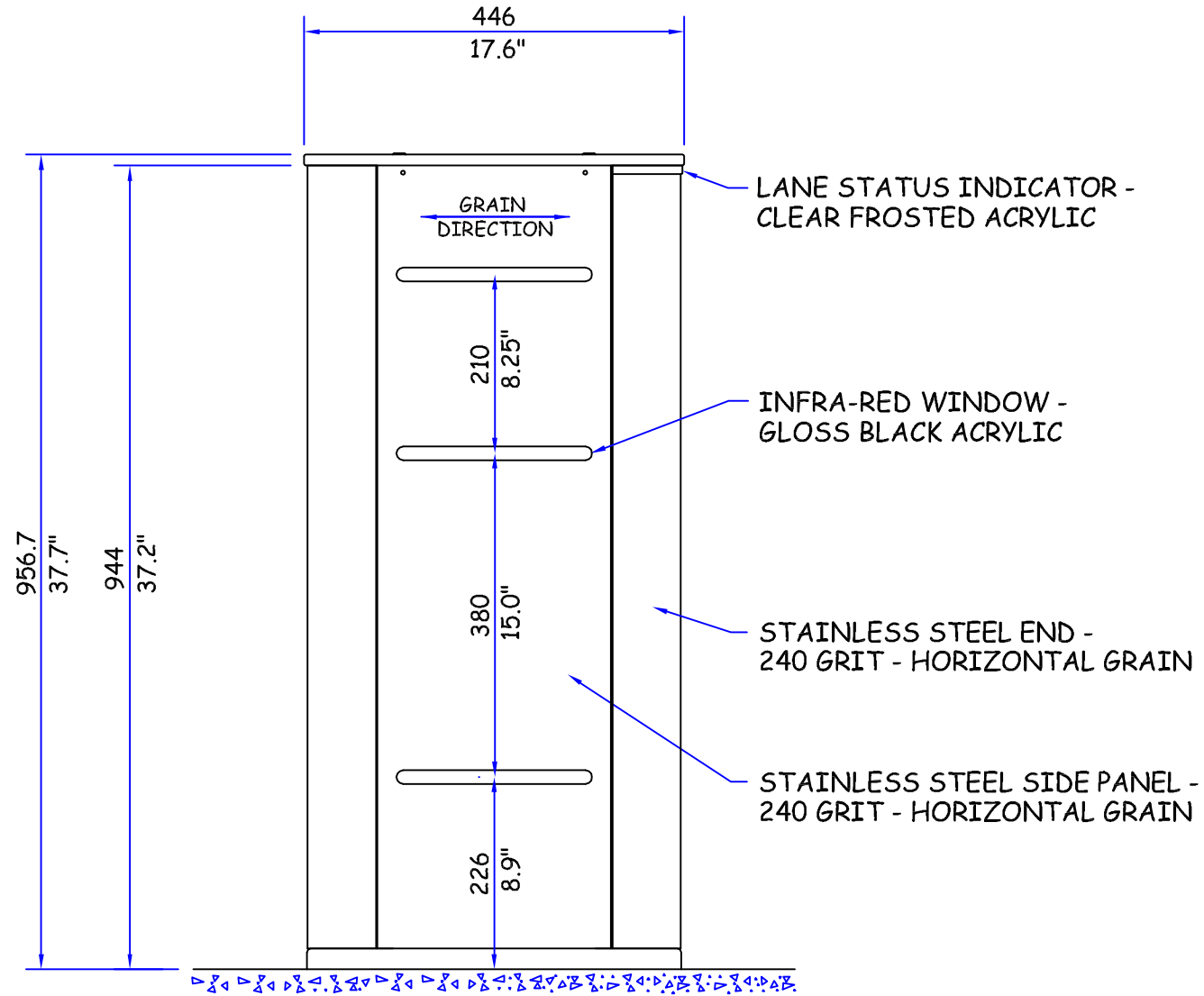
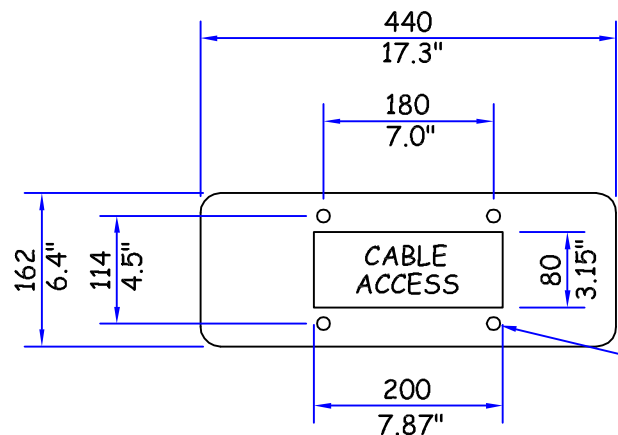


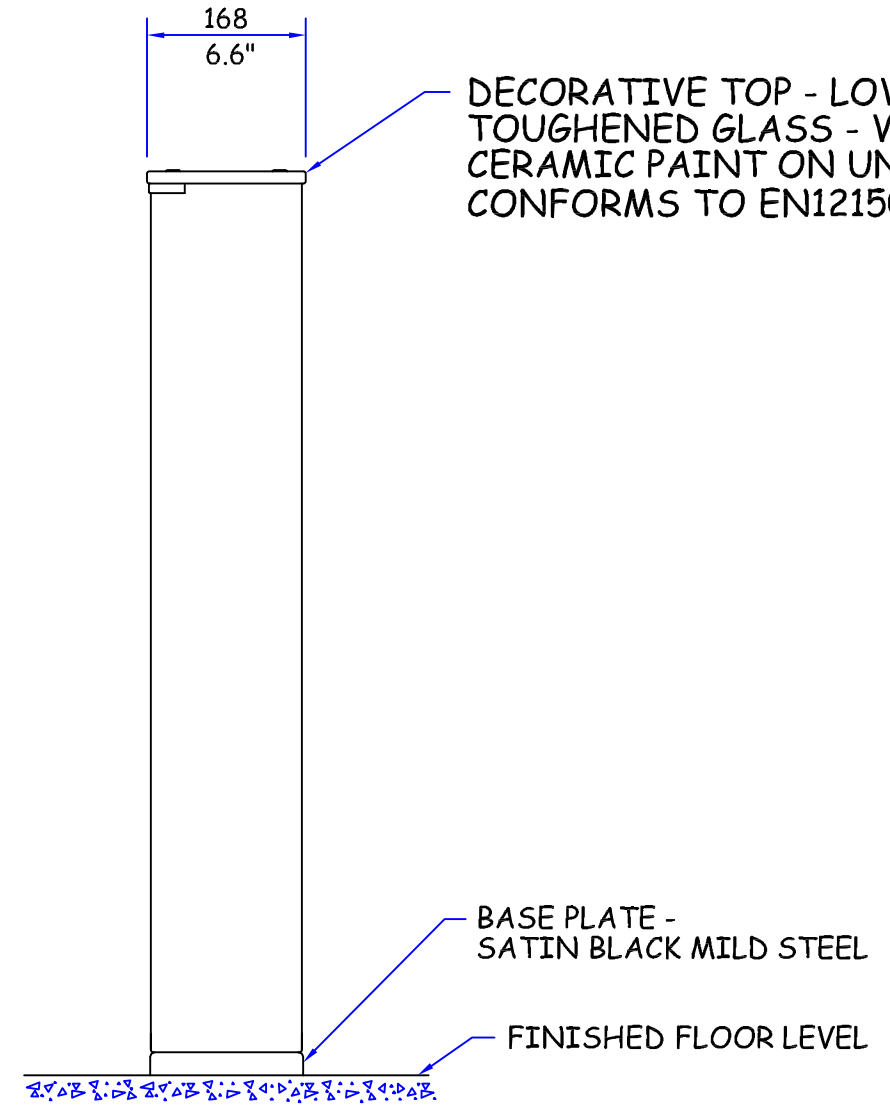
TOP VIEW



SIDE VIEW



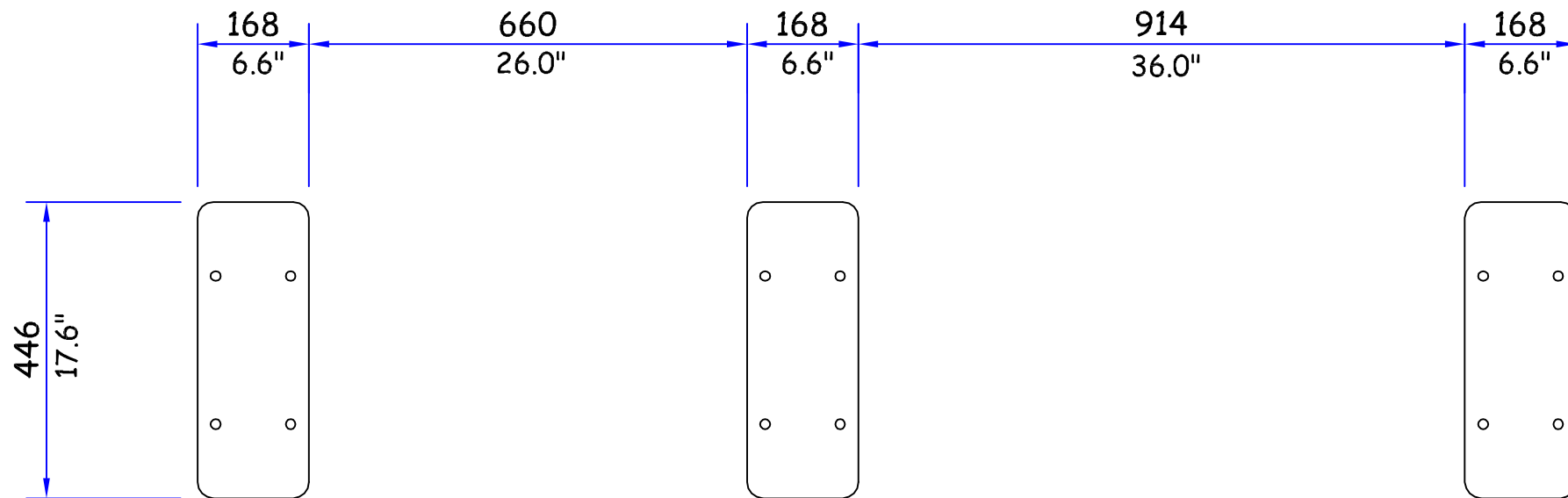
4 FIXING HOLES 14 DIA (0.55") FOR M10 (3/8") FIXINGS SUITABLE FOR FLOOR STRUCTURE



END VIEW

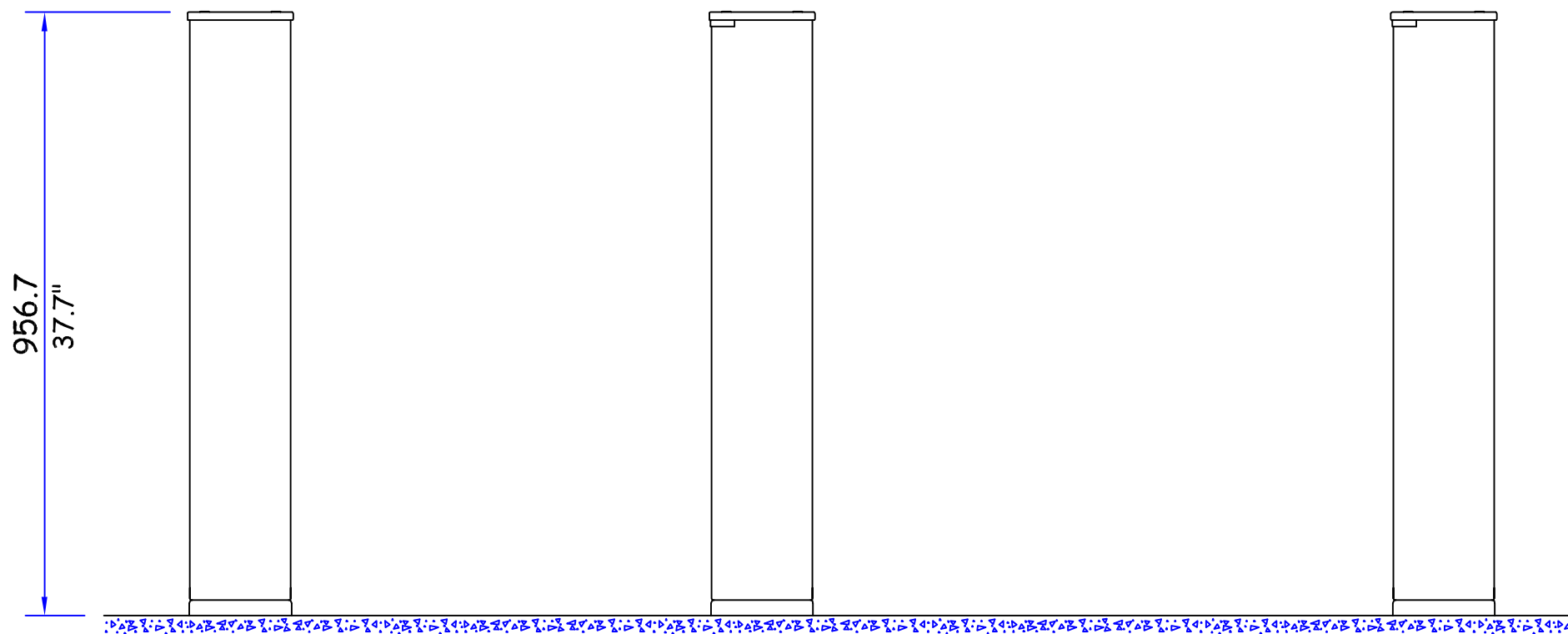
PRODUCT: FASTLANE COMPACT	
TITLE: GENERAL DIMENSIONS	
DRAWN: RST	DRAWING No: S665_360_A3
DATE: 19.9.07	This document is the copyright of Integrated Design Ltd





STANDARD LANE WIDTH  
PEDESTRIAN ACCESS

EXTENDED LANE WIDTH  
\* DISABLED ACCESS



\* SUBJECT TO LOCAL LEGISLATION

THIS DRAWING SHOWS TYPICAL LANE WIDTHS.  
LANES CAN BE BETWEEN 600mm & 1000mm. (23.6" & 39.4")

PRODUCT: FASTLANE COMPACT

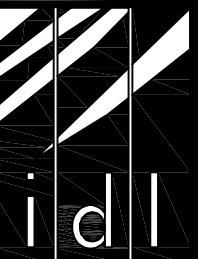
TITLE: GENERAL LAYOUT

DRAWN: RST

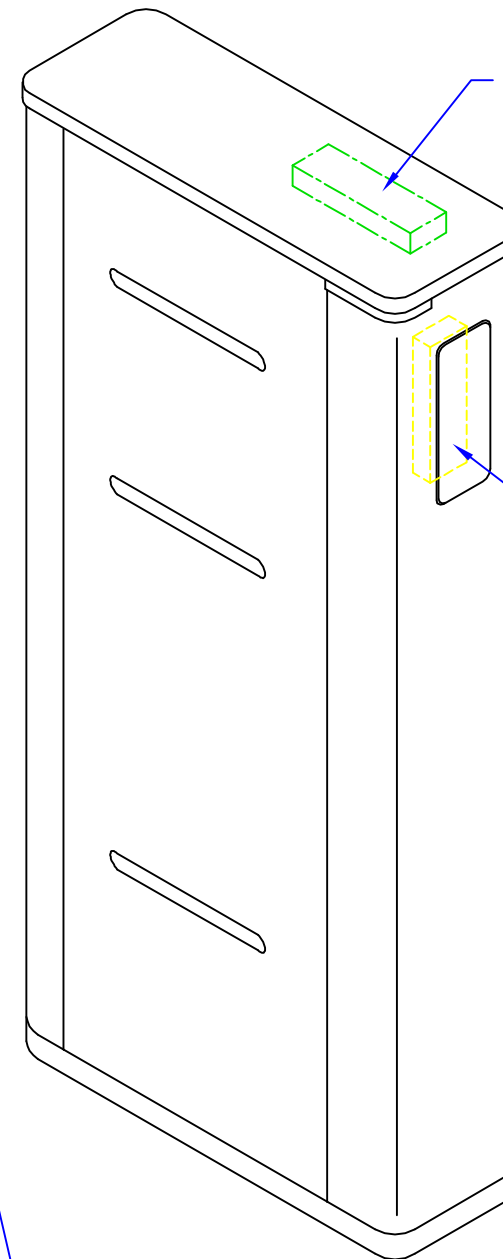
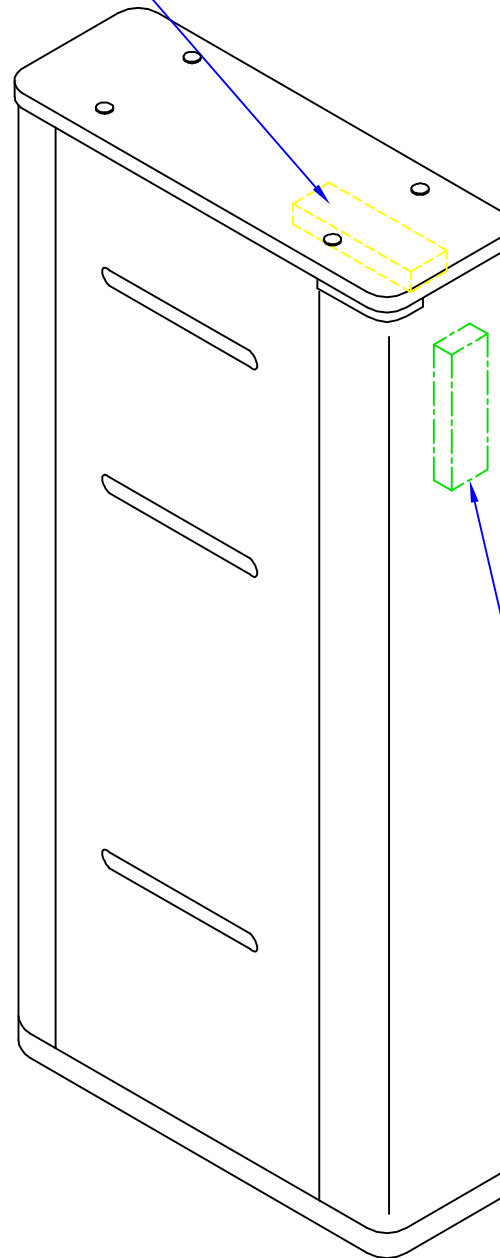
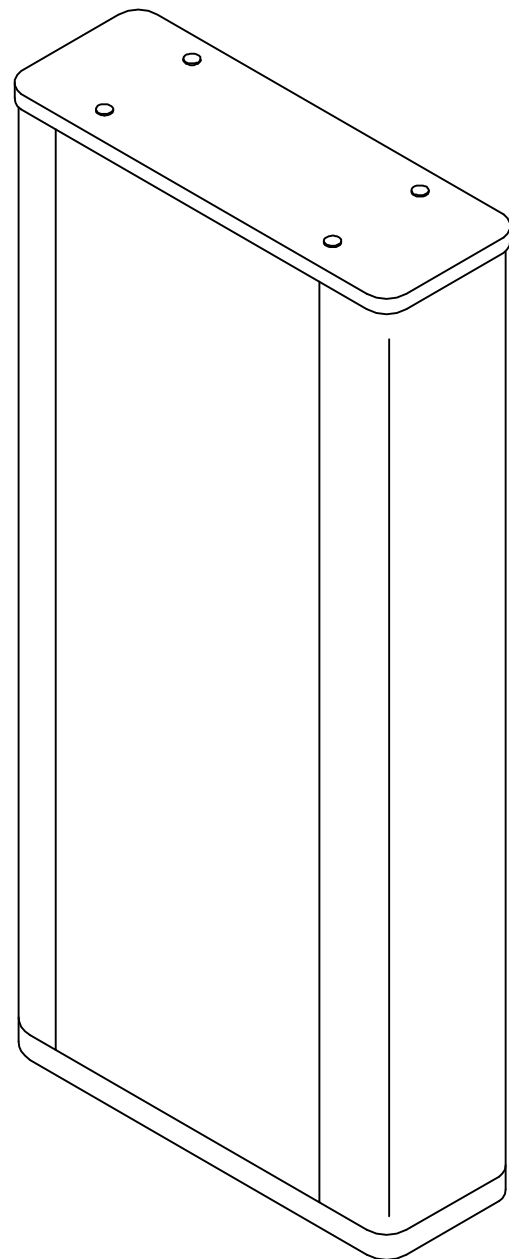
DRAWING No: S665\_361\_A2

DATE: 20.3.08

This document is the copyright of  
Integrated Design Ltd



CARD READER POSITION - OPTION 1  
MOUNTED BELOW GLASS TOP



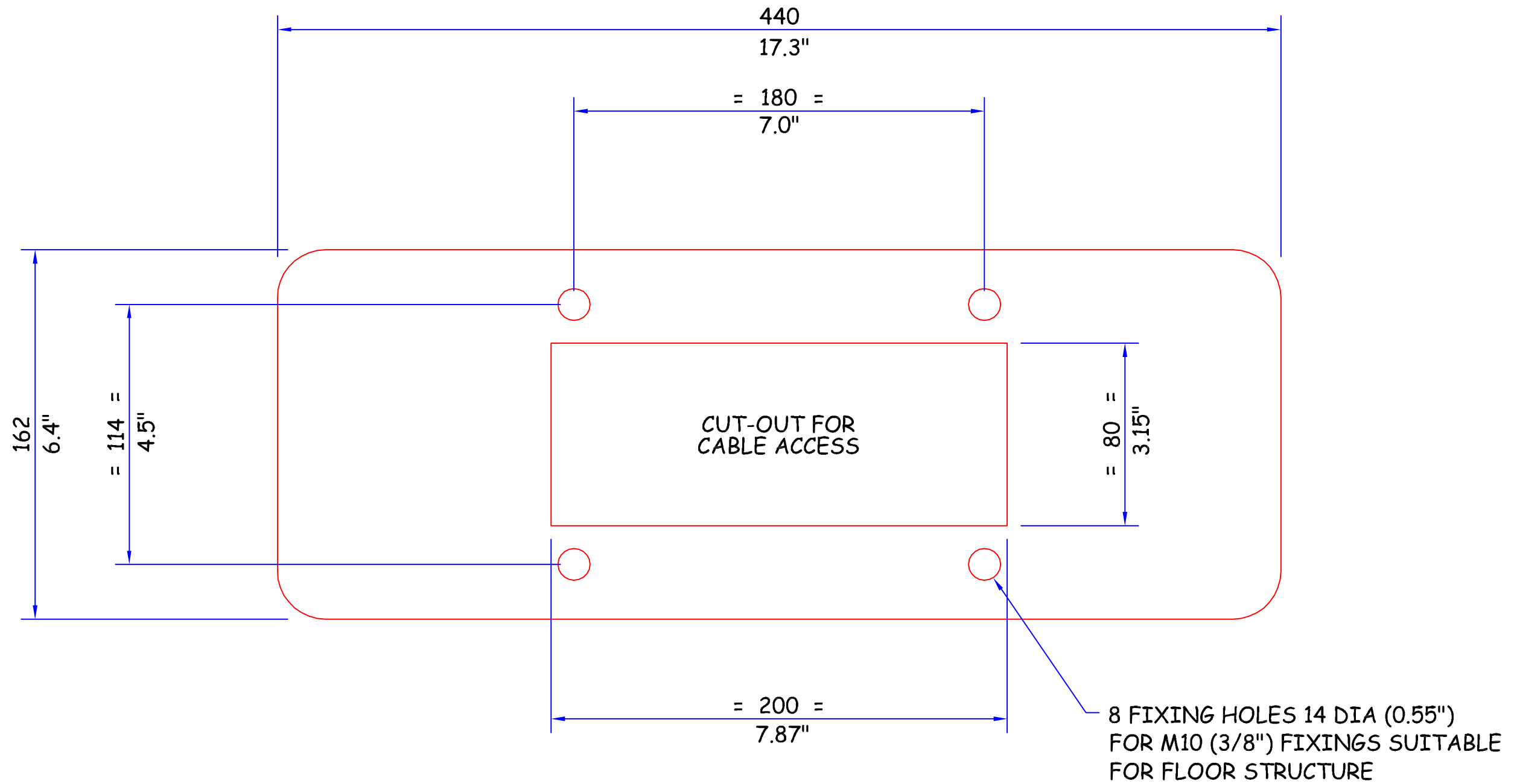
CARD READER POSITION - OPTION 2  
MOUNTED EXTERNALLY ON CORIAN TOP

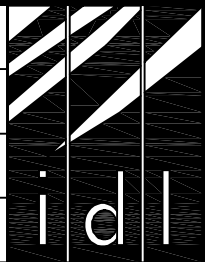
CARD READER POSITION - OPTION 4  
MOUNTED BEHIND FROSTED ACRYLIC WINDOW

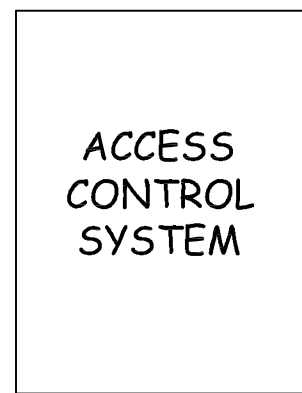
CARD READER POSITION - OPTION 3  
MOUNTED EXTERNALLY ON END

PRODUCT: FASTLANE COMPACT	
TITLE: CARD READER OPTIONS	
DRAWN: RST	DRAWING No: S665_363_A2
DATE: 19.9.07	This document is the copyright of Integrated Design Ltd





PRODUCT: FASTLANE COMPACT		
TITLE: BASE DRILLING TEMPLATE		
DRAWN: RST	DRAWING No: S665_365_A0	
DATE: 19.9.07	This document is the copyright of Integrated Design Ltd	

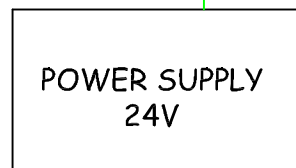
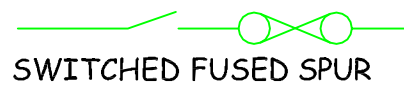


- \* CARD READER
- ACCESS CONTROL
- ACCESS CONTROL
- \* CARD READER
- \* CARD READER
- \* CARD READER

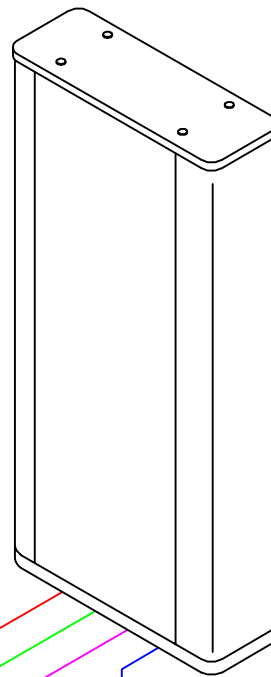
ACCESS CONTROL - 10 CORE

- <IP 'DOOR OPEN' ENTRY
- IP> 'DOOR OPEN' EXIT
- <ENT 'DOOR CLOSED' ENTRY
- ENT> 'DOOR CLOSED' EXIT
- AL1 ALARM O/P N/C
- AL2 ALARM O/P N/O

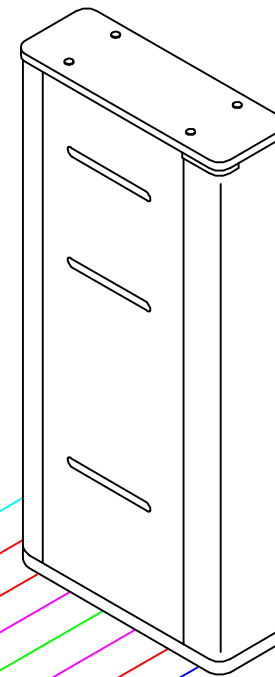
\* CARD READER CABLING DEPENDENT ON READER MANUFACTURER'S SPECIFICATIONS.



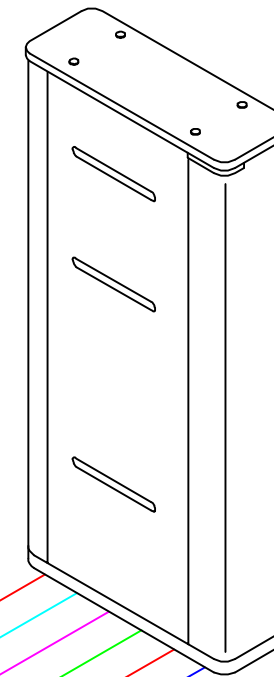
TRANSMIT ENCLOSURE



INTERLANE ENCLOSURE



RECEIVE ENCLOSURE



2 CORE

2 CORE

2 CORE

CAT. 5 CABLE (3 MTRS SUPPLIED) (10')

CAT. 5 CABLE (3 MTRS SUPPLIED) (10')

8 CORE + SCREEN



8 CORE + SCREEN



PRODUCT: FASTLANE COMPACT		
TITLE: CABLING REQUIREMENTS		
DRAWN: RST	DRAWING No: S665_367_A2	
DATE: 19.9.07	This document is the copyright of Integrated Design Ltd	