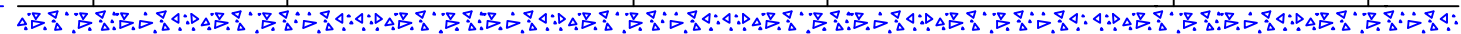
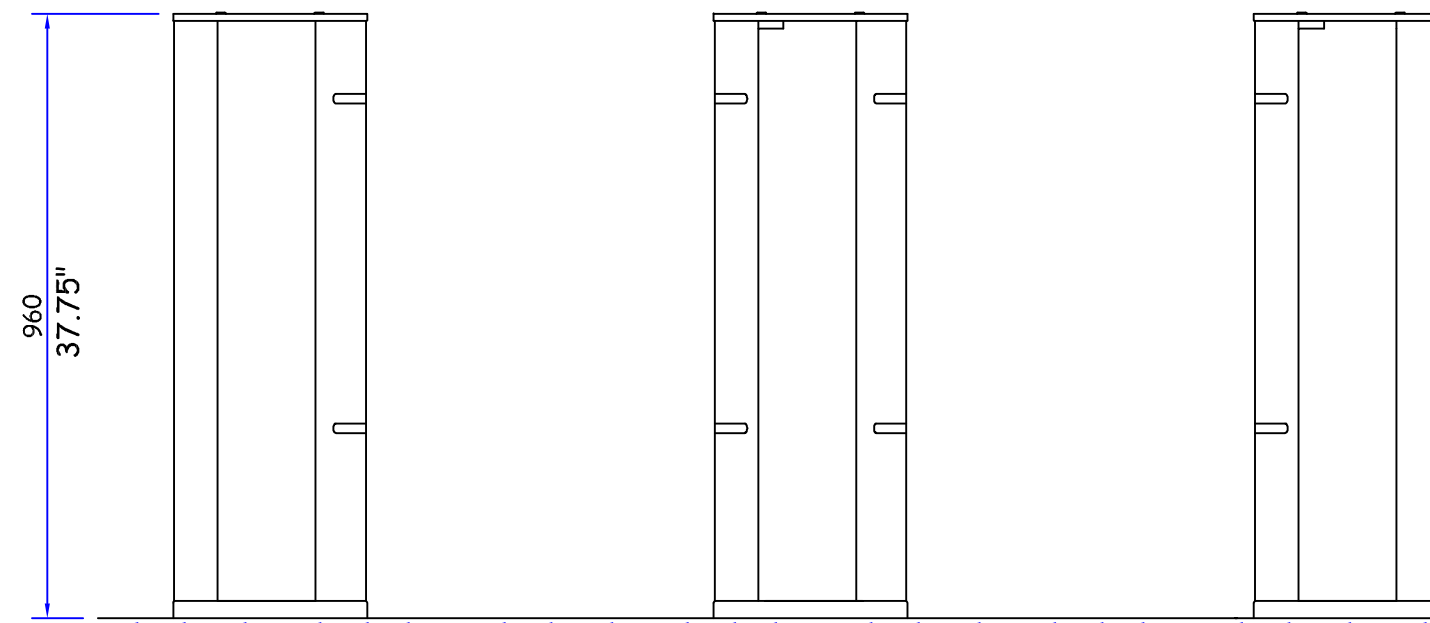
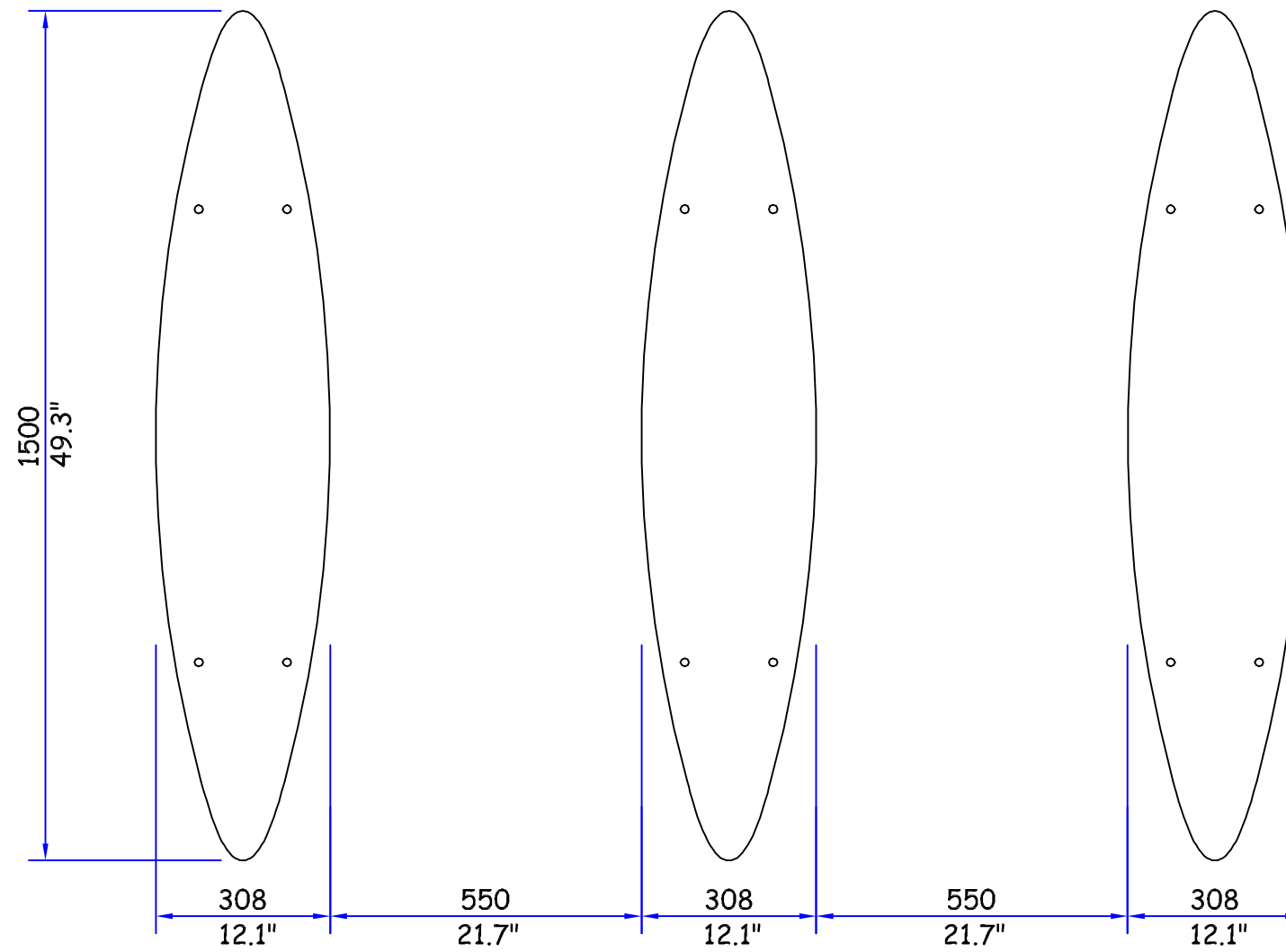
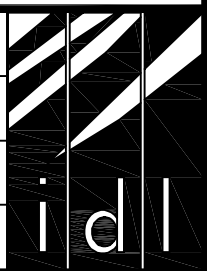


OVERALL FINISHED WEIGHT OF PEDESTAL - TBA

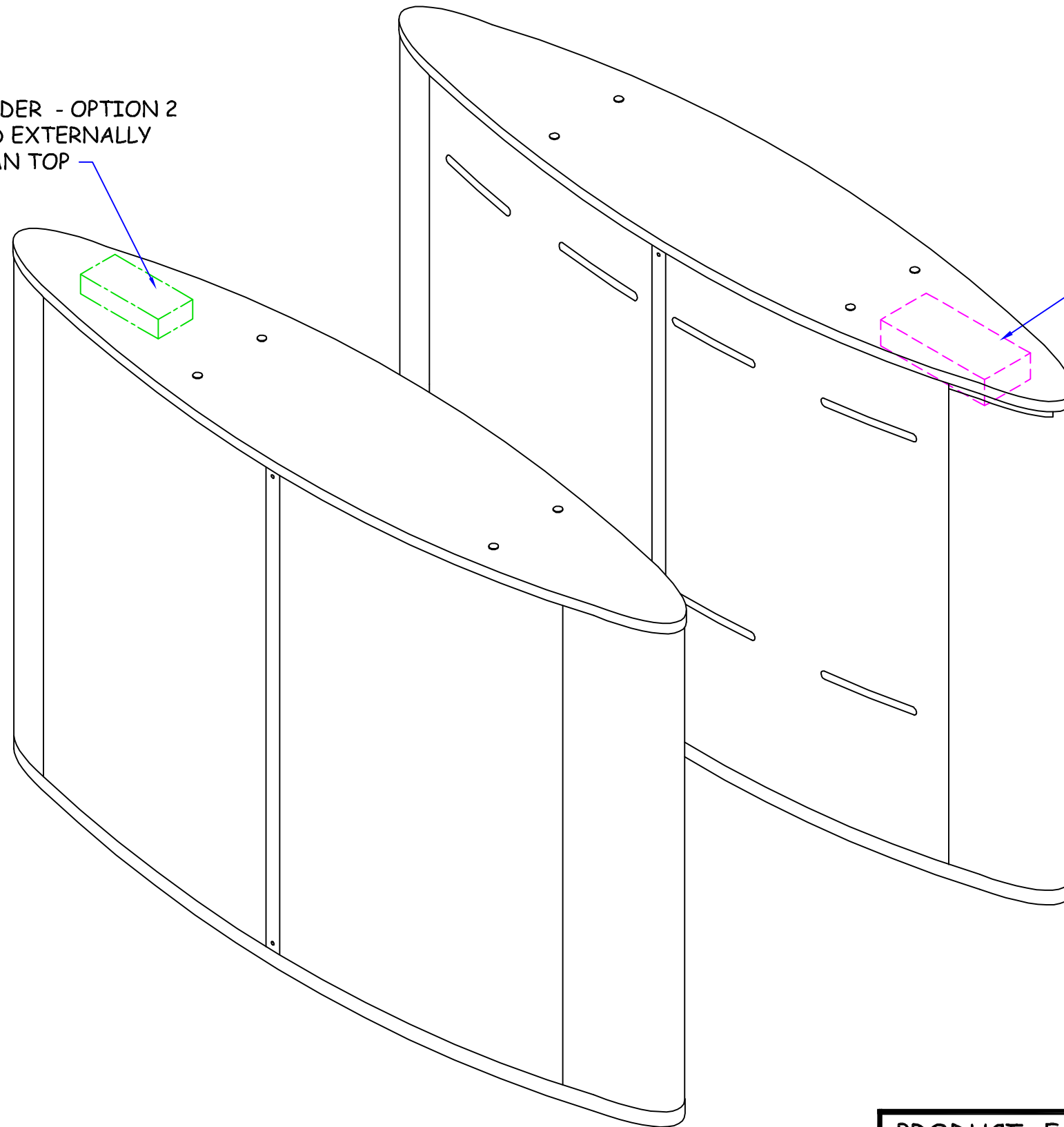
PRODUCT: FASTLANE - ELLIPTICAL		
TITLE: GENERAL DIMENSIONS		
DRAWN: JGL	DRAWING No: S665_600_A0	
DATE: 4.8.08	This document is the copyright of Integrated Design Ltd	



PRODUCT: FASTLANE - ELLIPTICAL	
TITLE: GENERAL LAYOUT	
DRAWN: JGL	DRAWING No: S665_601_A0
DATE: 4.8.08	This document is the copyright of Integrated Design Ltd

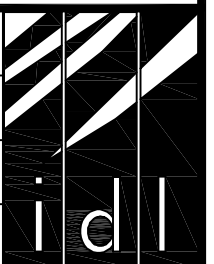


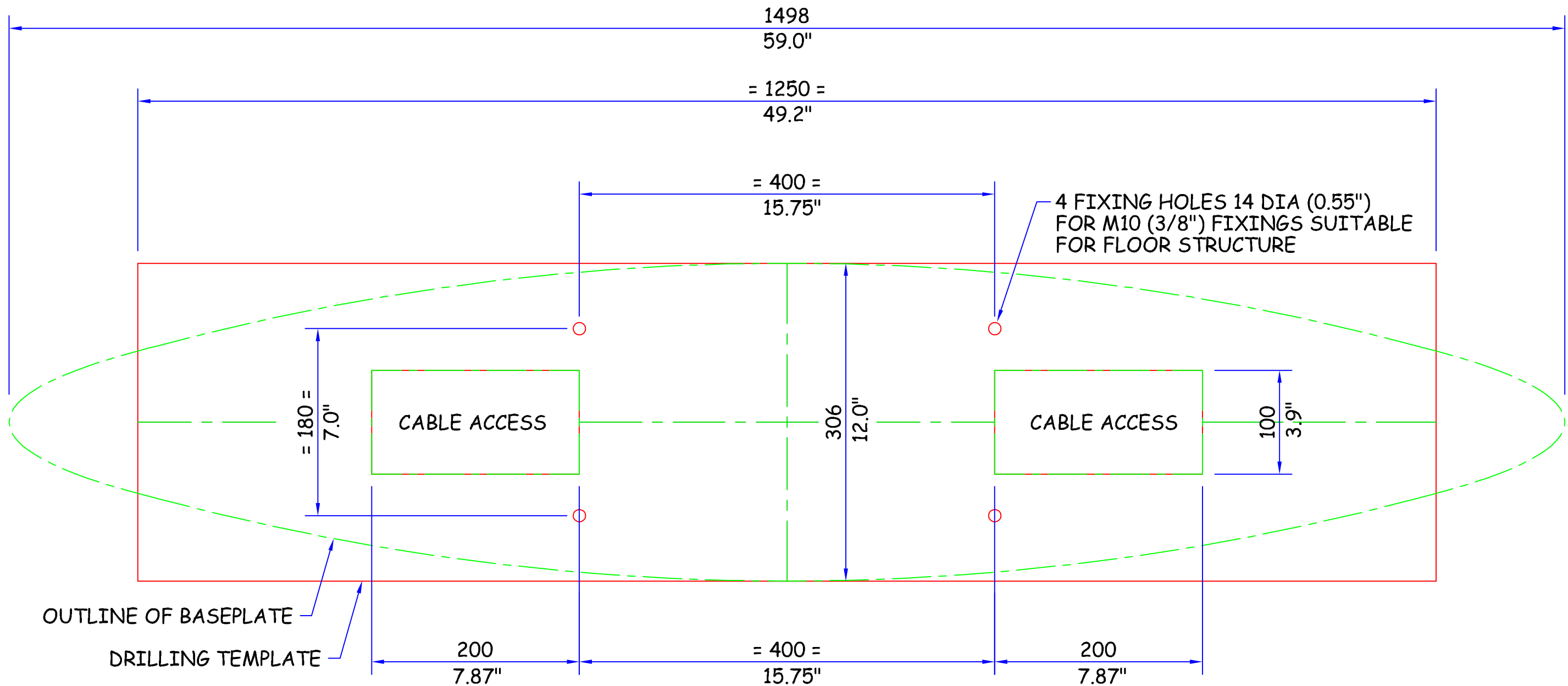
CARD READER - OPTION 2
MOUNTED EXTERNALLY
ON CORIAN TOP

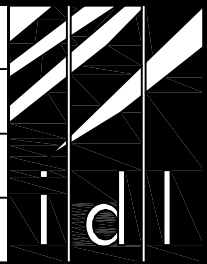


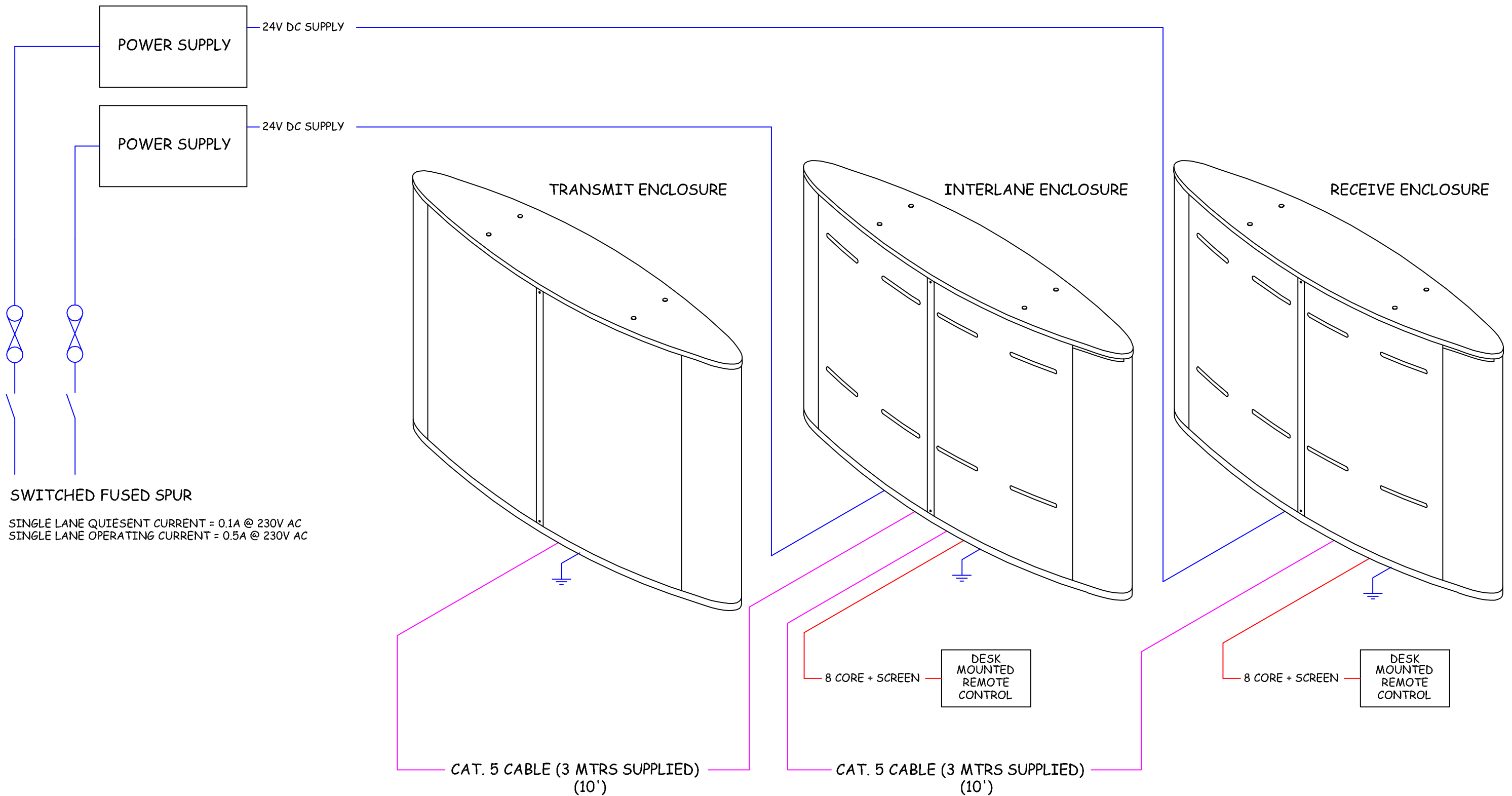
CARD READER - OPTION 1
MOUNTED BELOW GLASS TOP
AVAILABLE AREA 250 x 120 x 75
(10" x 4.7" x 3" APPROX.)

PRODUCT: FASTLANE - ELLIPTICAL	
TITLE: CARD READER OPTIONS	
DRAWN: JGL	DRAWING No: S665_602_A0
DATE: 6.8.08	This document is the copyright of Integrated Design Ltd




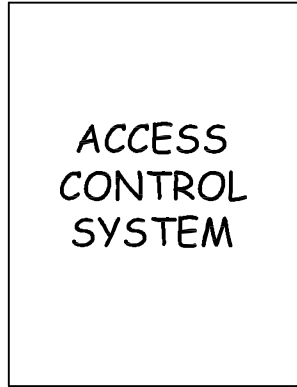


PRODUCT: FASTLANE - ELLIPTICAL		
TITLE: BASE DRILLING DETAILS		
DRAWN: JGL	DRAWING No: S665_603_A0	
DATE: 6.4.08	This document is the copyright of Integrated Design Ltd	

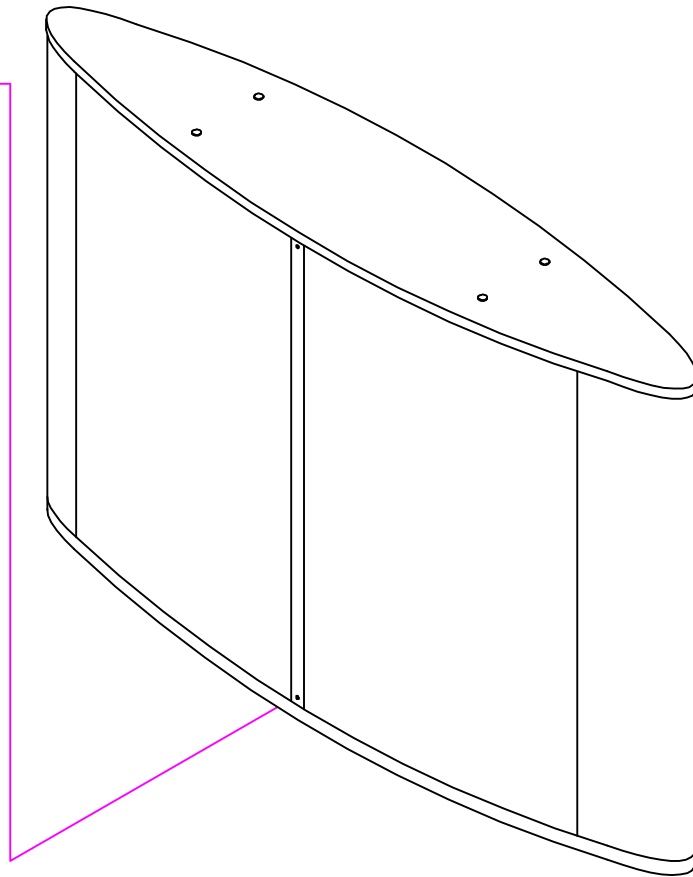


THIS DRAWING SHOWS THE FASTLANE ELLIPTICAL CABLING REQUIREMENTS. IT IS TO BE READ IN CONJUNCTION WITH DRAWING 665_605_A0, WHICH SHOWS THE CABLING REQUIREMENTS FOR THE ACCESS CONTROL INTEGRATION. FOR FURTHER INFORMATION, REFER TO THE INSTALLATION MANUAL.

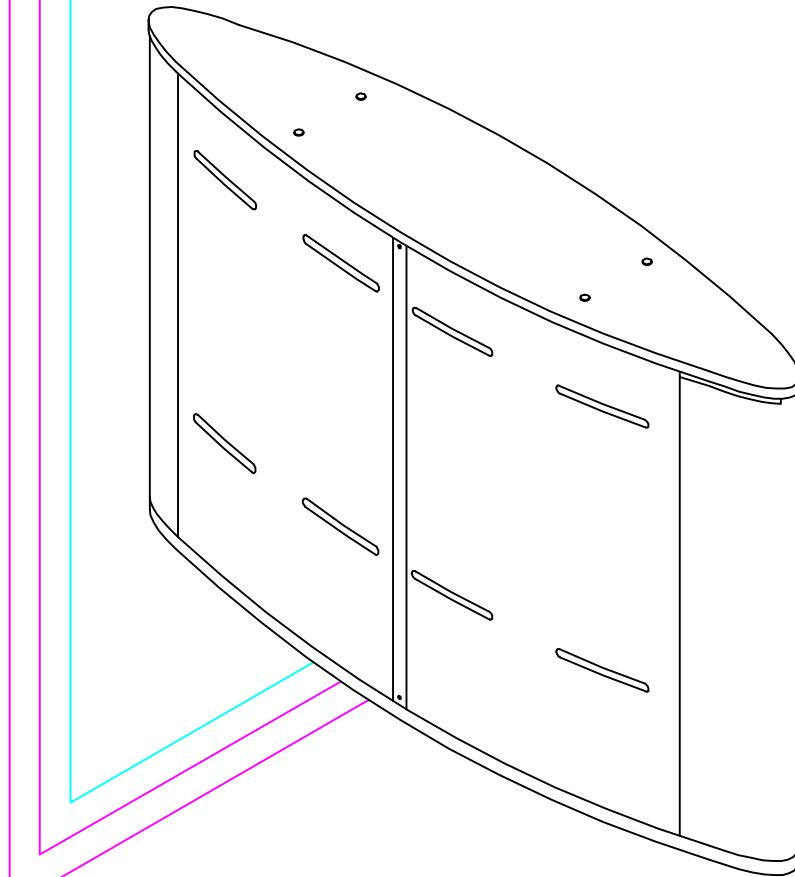
PRODUCT: FASTLANE - ELLIPTICAL		
TITLE: CABLING REQUIREMENTS		
DRAWN: RST	DRAWING No: S665_604_A0	
DATE: 6.8.08	This document is the copyright of Integrated Design Ltd	



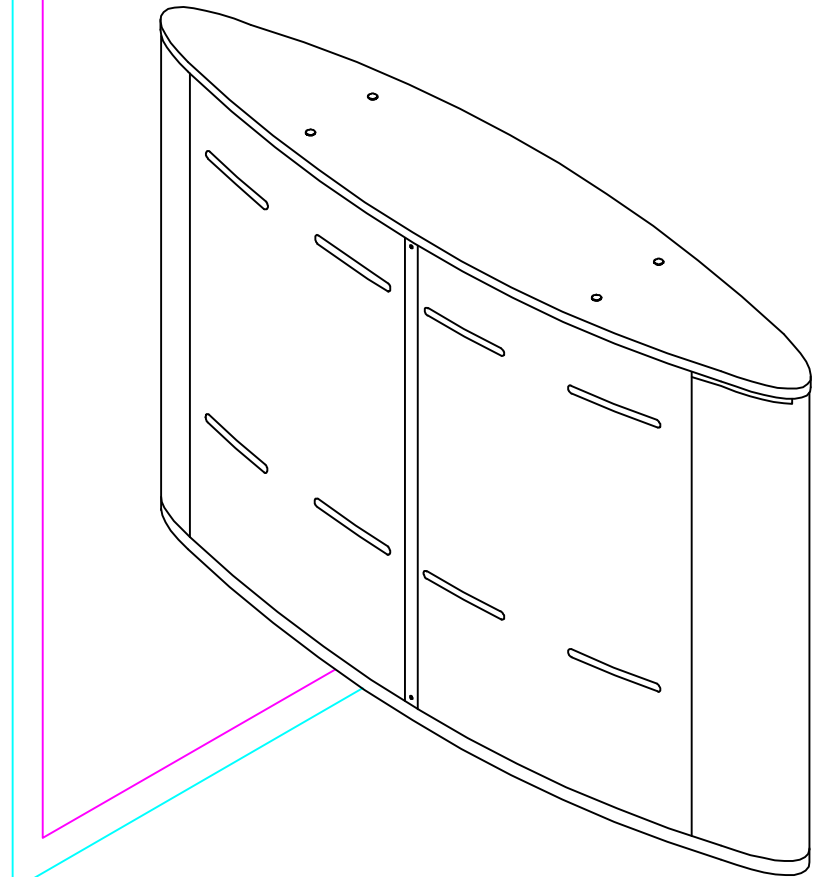
- * CARD READER
- ACCESS CONTROL
- ACCESS CONTROL
- * CARD READER
- * CARD READER
- * CARD READER



TRANSMIT ENCLOSURE



INTERLANE ENCLOSURE



RECEIVE ENCLOSURE

ACCESS CONTROL - 10 CORE
 <IP 'DOOR OPEN' ENTRY
 IP> 'DOOR OPEN' EXIT
 <ENT 'DOOR CLOSED' ENTRY
 ENT> 'DOOR CLOSED' EXIT
 ALR1 ALARM O/P - N/C
 ALR2 ALARM O/P - N/O

* CARD READER CABLING DEPENDENT ON READER MANUFACTURER'S SPECIFICATIONS.

THIS DRAWING SHOWS THE ACCESS CONTROL INTEGRATION REQUIREMENTS. IT IS TO BE READ IN CONJUNCTION WITH DRAWING 665_604_A0 WHICH SHOWS THE FASTLANE ELLIPTICAL CABLING REQUIREMENTS. FOR FURTHER INFORMATION, REFER TO THE INSTALLATION MANUAL.

PRODUCT: FASTLANE - ELLIPTICAL	
TITLE: CABLING REQUIREMENTS	
DRAWN: JGL	DRAWING No: S665_605_A0
DATE: 6.4.08	This document is the copyright of Integrated Design Ltd

