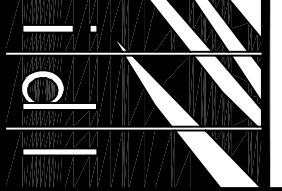
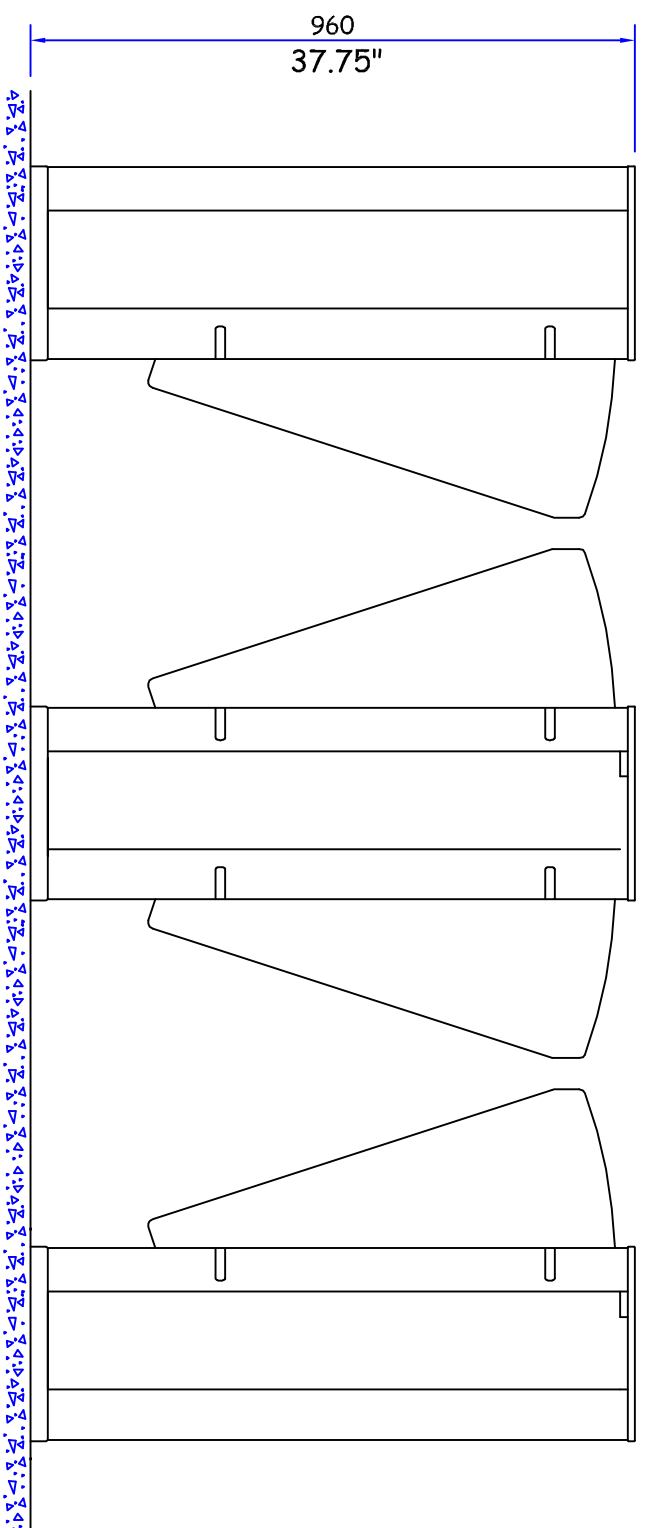
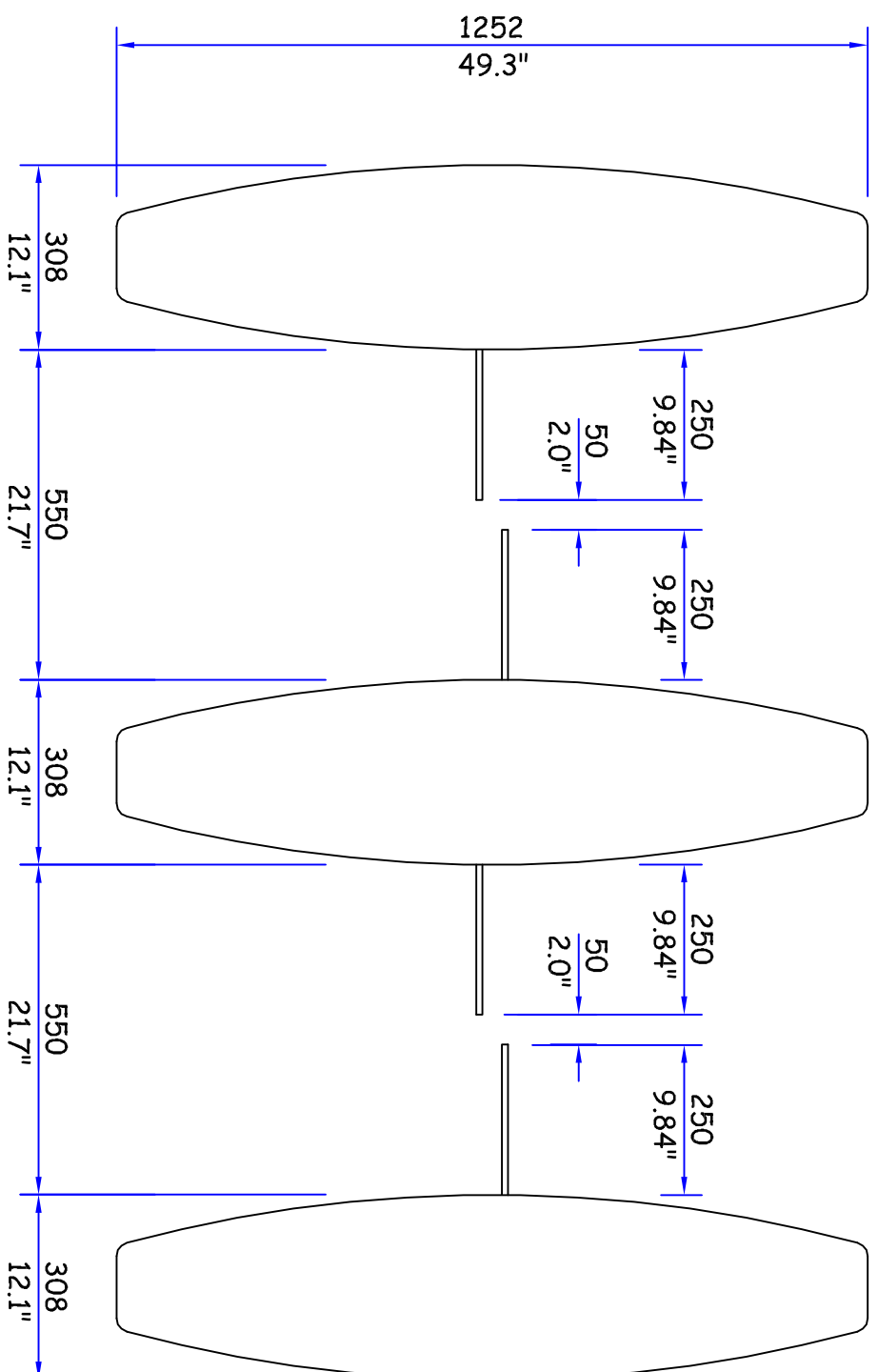


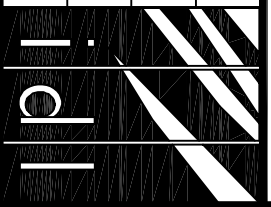
OVERALL FINISHED WEIGHT OF PEDESTAL - TBA

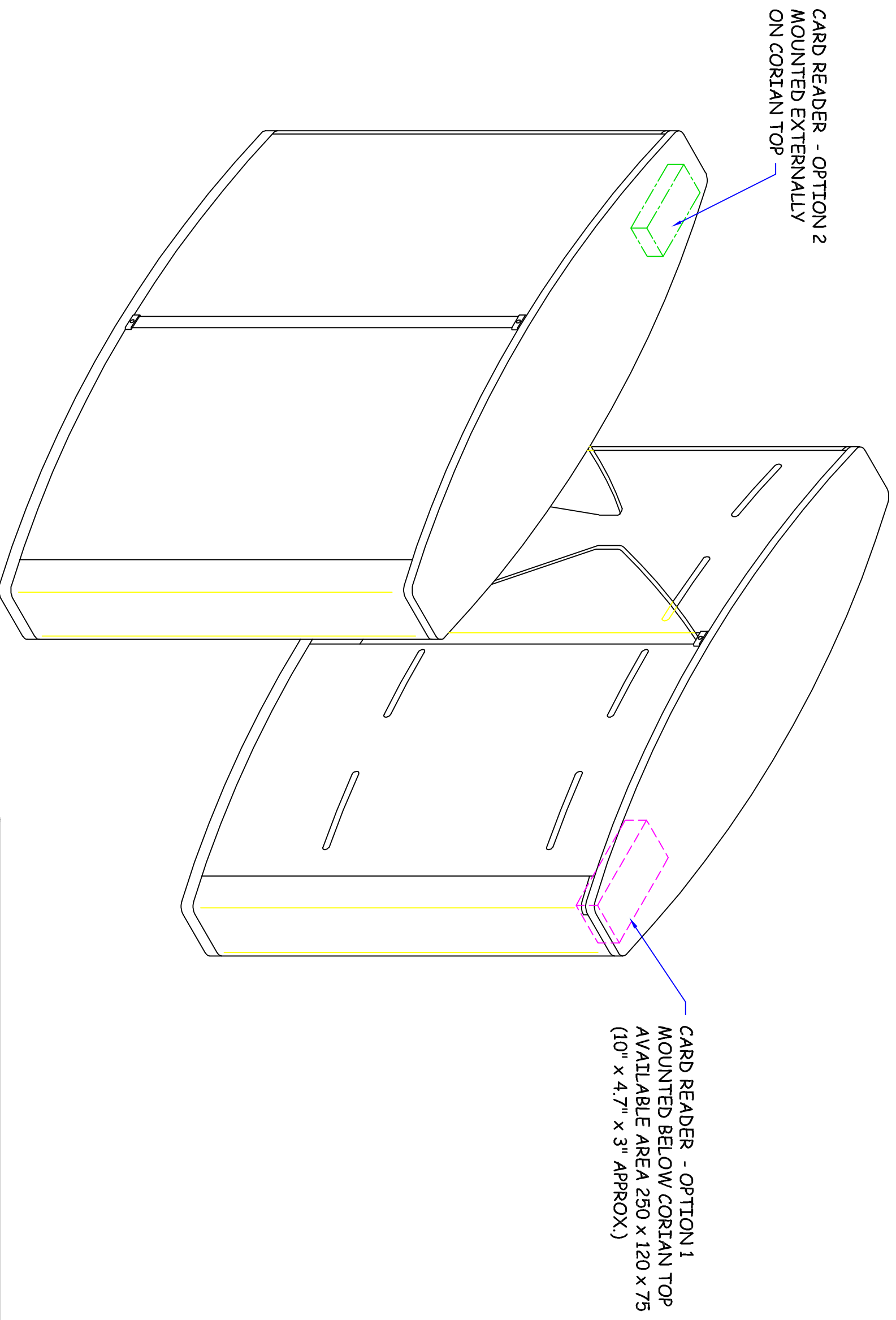
PRODUCT: GLASSWING COMPACT	
TITLE: GENERAL DIMENSIONS	
DRAWN: RST	DRAWING No: S665_350_A2
DATE: 21.9.07	This document is the copyright of Integrated Design Ltd





PRODUCT: GLASSWING COMPACT	
TITLE: GENERAL LAYOUT	
DRAWN: RST	DRAWING No: S665_351_A1
DATE: 21.9.07	This document is the copyright of Integrated Design Ltd

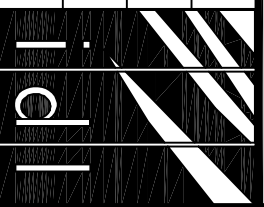


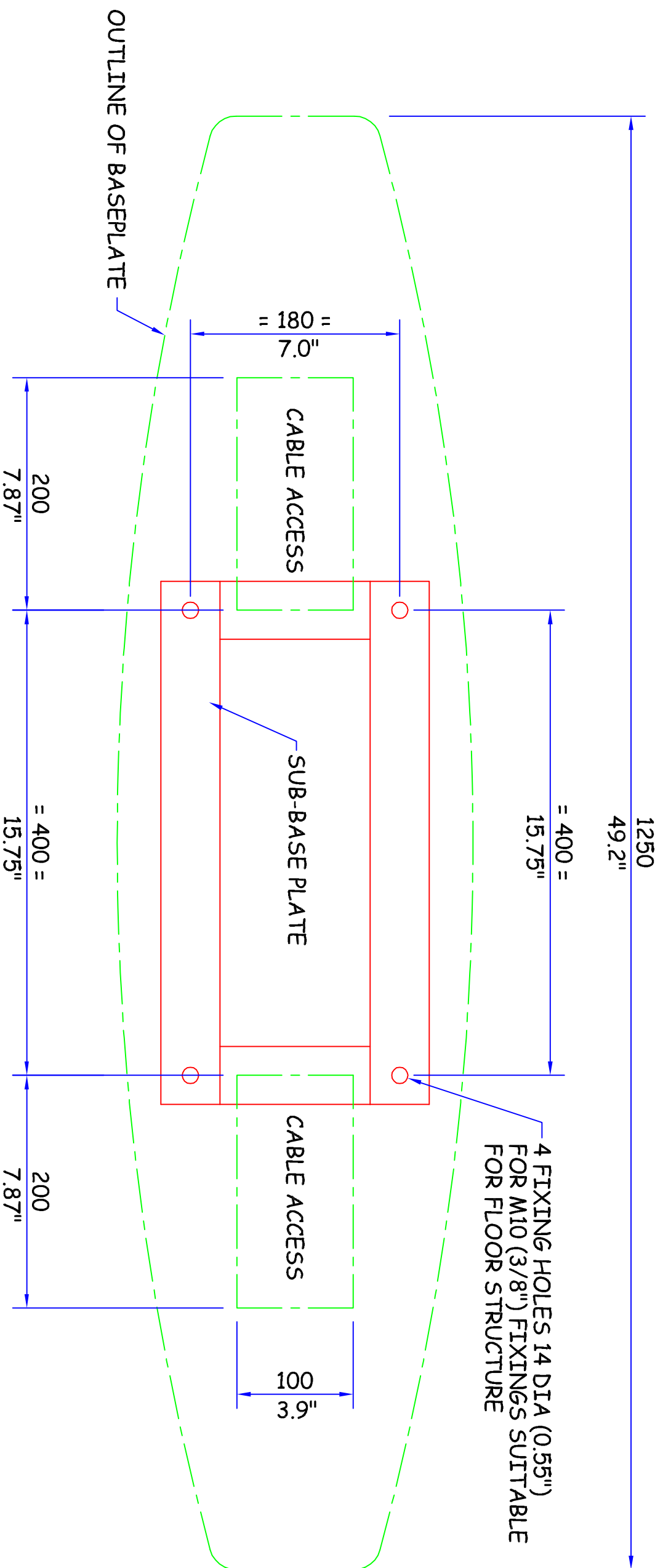


CARD READER - OPTION 2
MOUNTED EXTERNALLY
ON CORIAN TOP

CARD READER - OPTION 1
MOUNTED BELOW CORIAN TOP
AVAILABLE AREA 250 x 120 x 75
(10" x 4.7" x 3" APPROX.)

PRODUCT: GLASSWING COMPACT	
TITLE: CARD READER OPTIONS	
DRAWN: RST	DRAWING No: S665_353_A2
DATE: 27.3.08	This document is the copyright of Integrated Design Ltd





PRODUCT: GLASSWING COMPACT

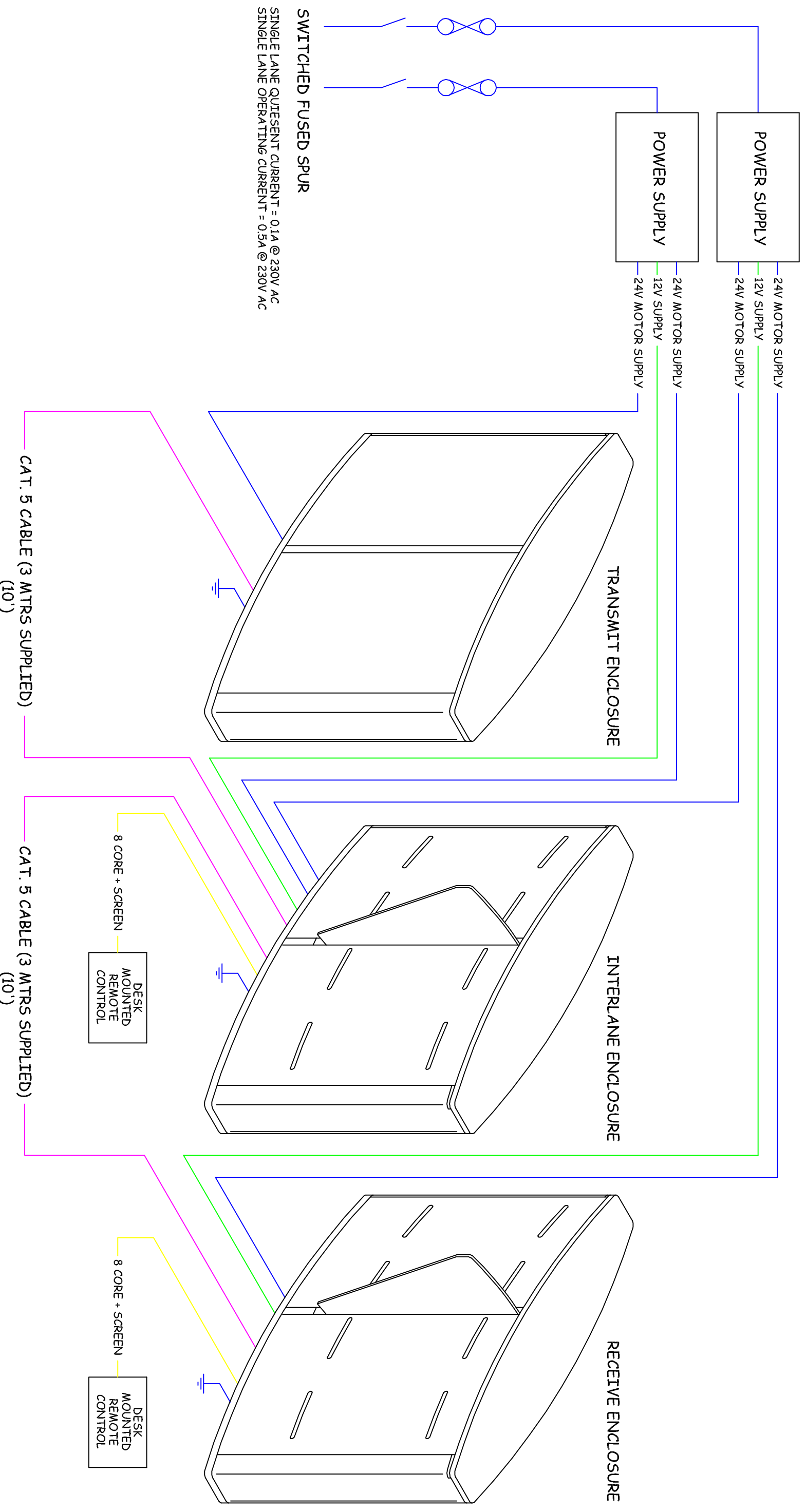
TITLE: BASE DRILLING DETAILS

DRAWN: RST DRAWING No: S665_354_A0

DATE: 26.3.08

This document is the copyright of
Integrated Design Ltd

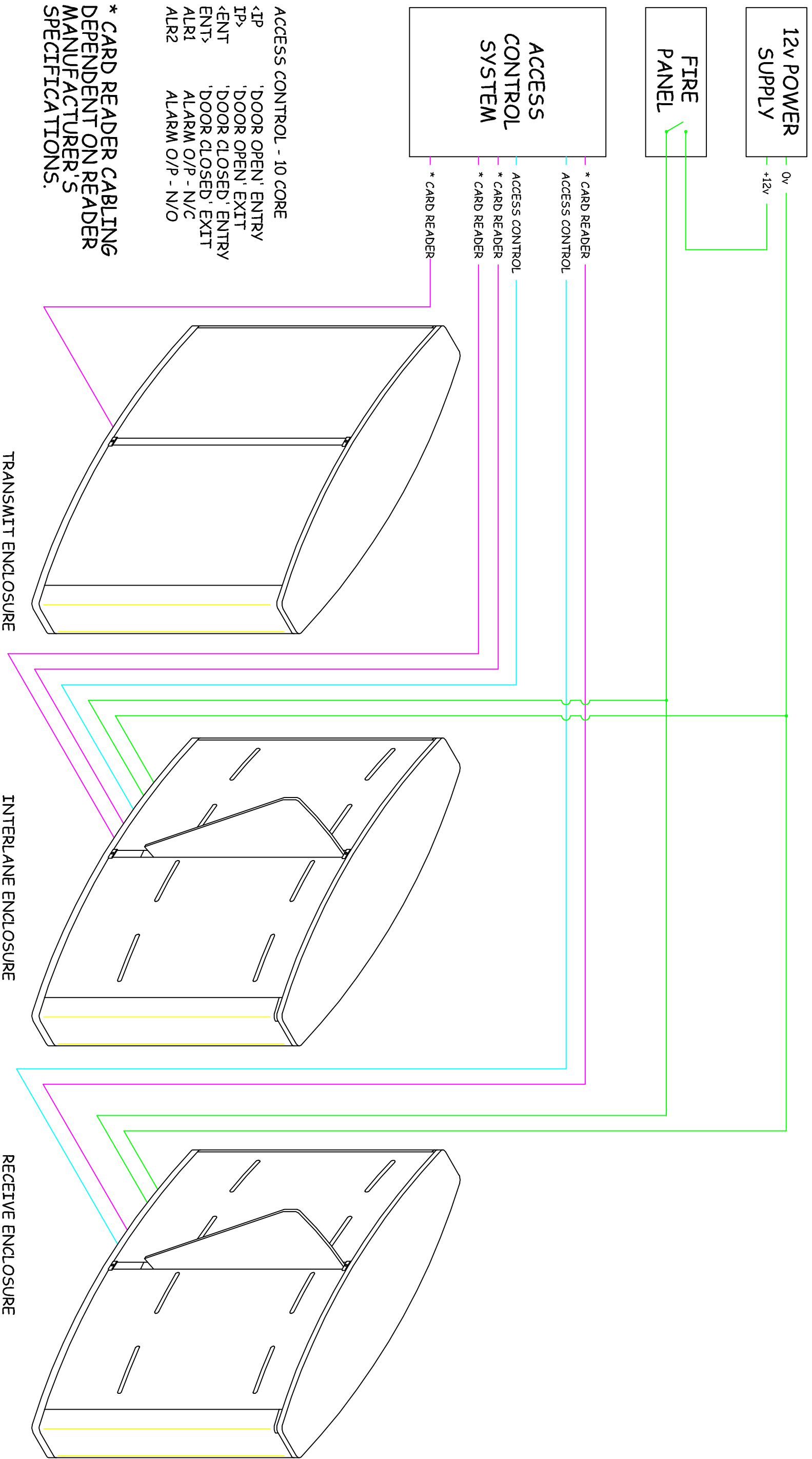




THIS DRAWING SHOWS THE GLASSWING CABLING REQUIREMENTS. IT IS TO BE READ IN CONJUNCTION WITH DRAWING 665_358_A0, WHICH SHOWS THE CABLING REQUIREMENTS FOR THE ACCESS CONTROL INTEGRATION. FOR FURTHER INFORMATION, REFER TO THE INSTALLATION MANUAL.

PRODUCT: GLASSWING	
TITLE: CABLING REQUIREMENTS	
DRAWN: RST	DRAWING No: 5665_357_A0
DATE: 21.9.07	This document is the copyright of Integrated Design Ltd





THIS DRAWING SHOWS THE ACCESS CONTROL INTEGRATION REQUIREMENTS. IT IS TO BE READ IN CONJUNCTION WITH DRAWING 665_357_A1 WHICH SHOWS THE GLASSWING CABLING REQUIREMENTS.

FOR FURTHER INFORMATION, REFER TO THE INSTALLATION MANUAL.

PRODUCT: GLASSWING COMPACT	
TITLE: CABLING REQUIREMENTS	
DRAWN: RST	DRAWING No: 5665_358_A1
DATE: 21.9.07	

This document is the copyright of
Integrated Design Ltd

