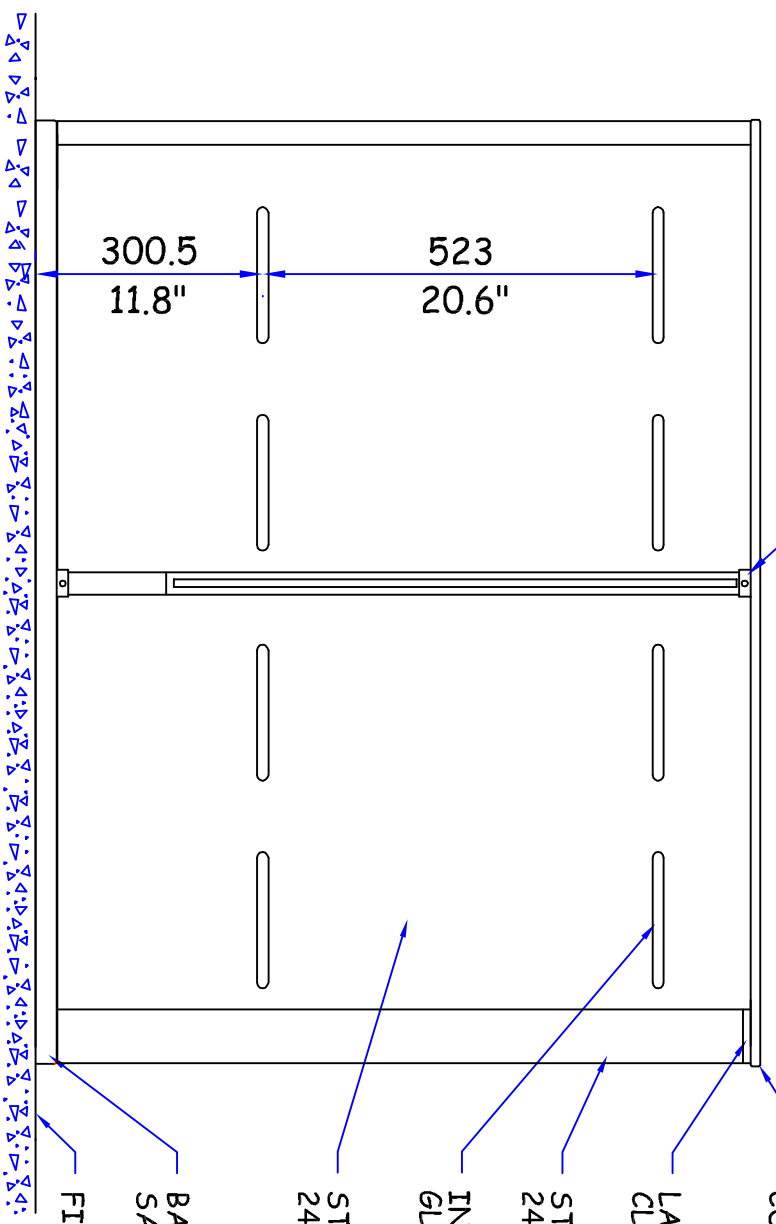
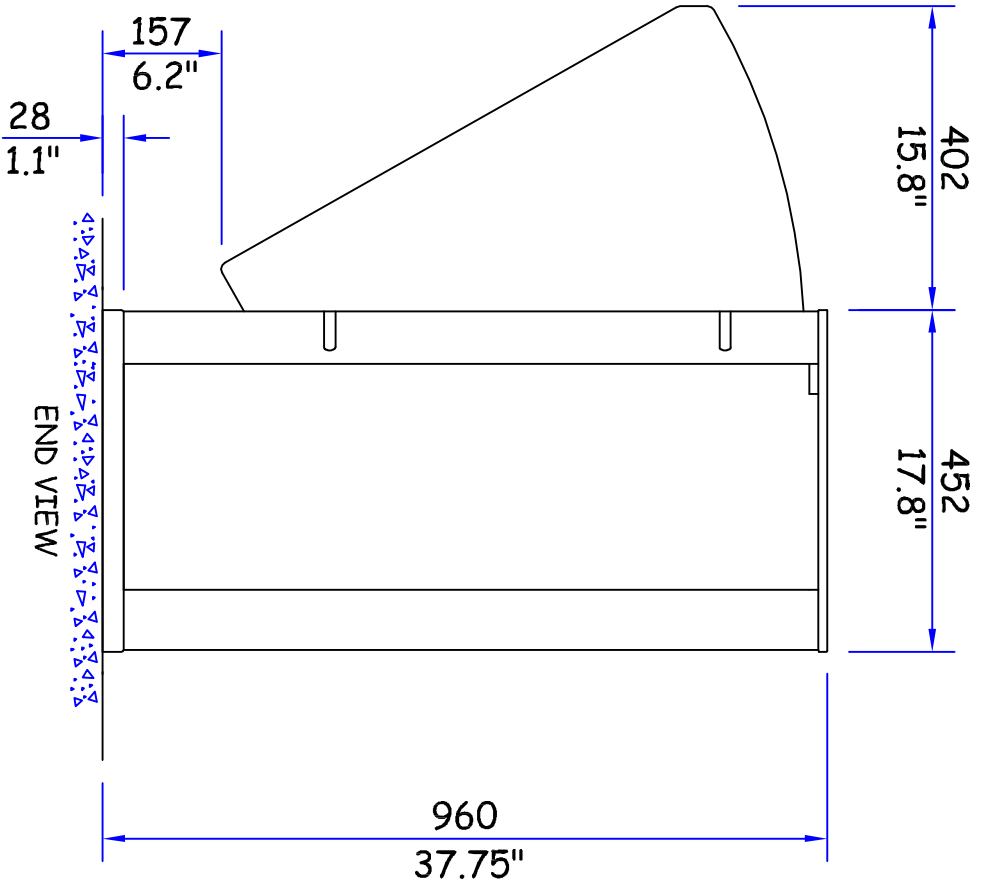
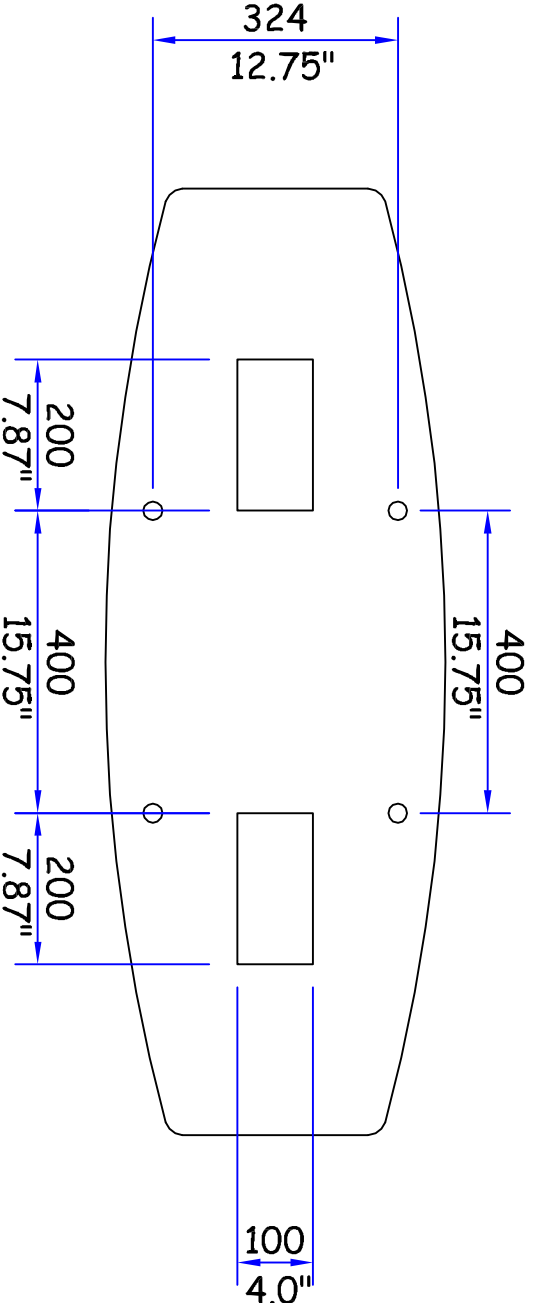


SIDE PANEL RETAINER - GLOSS BLACK ACRYLIC  
 10mm CLEAR GLASS WING TOUGHENED TO BS 6206

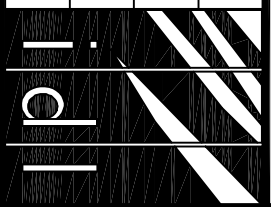


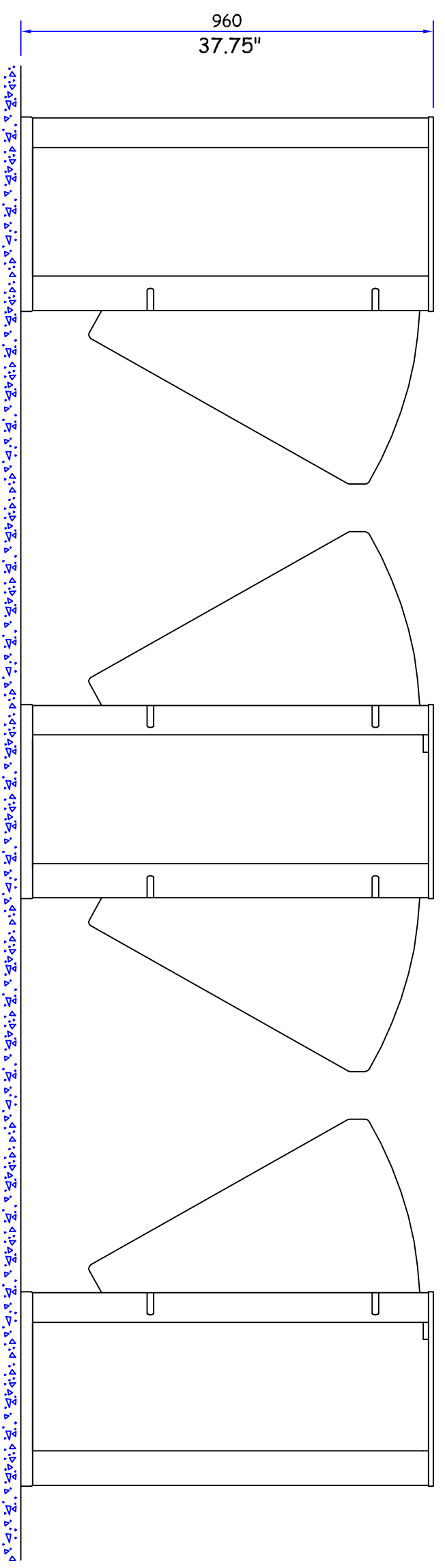
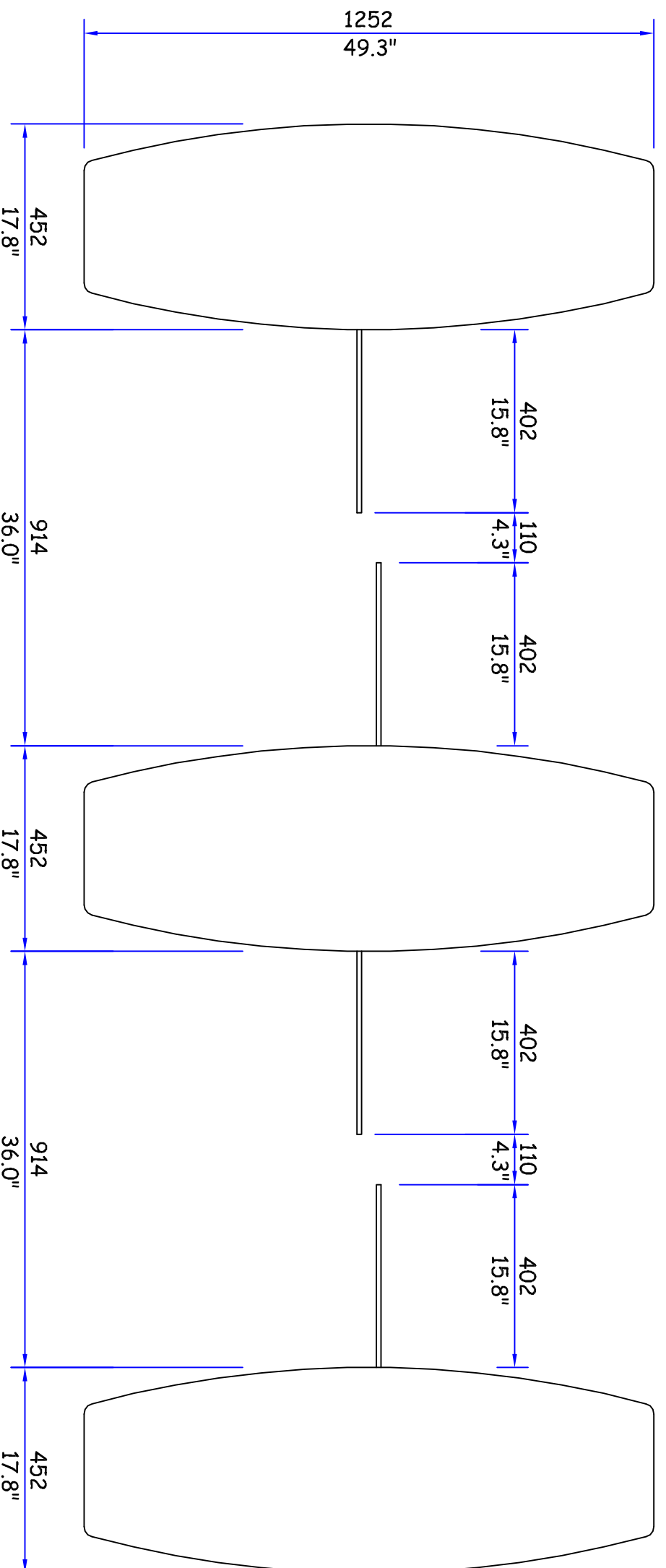
DECORATIVE TOP - CORIAN 'MIDNIGHT'  
 LANE STATUS INDICATOR - CLEAR FROSTED ACRYLIC  
 STAINLESS STEEL END - 240 GRIT - HORIZONTAL GRAIN  
 INFRA-RED WINDOW - GLOSS BLACK ACRYLIC  
 STAINLESS STEEL SIDE PANEL - 240 GRIT - HORIZONTAL GRAIN  
 BASEPLATE - SATIN BLACK MILD STEEL  
 FINISHED FLOOR LEVEL



OVERALL FINISHED WEIGHT OF PEDESTAL - TBA

PRODUCT: GLASSWING DDA	
TITLE: GENERAL DIMENSIONS	
DRAWN: RST	DRAWING No: S665_490_A0
DATE: 27.3.08	This document is the copyright of Integrated Design Ltd



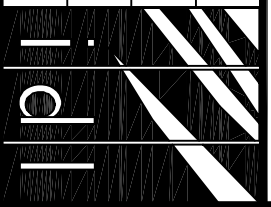


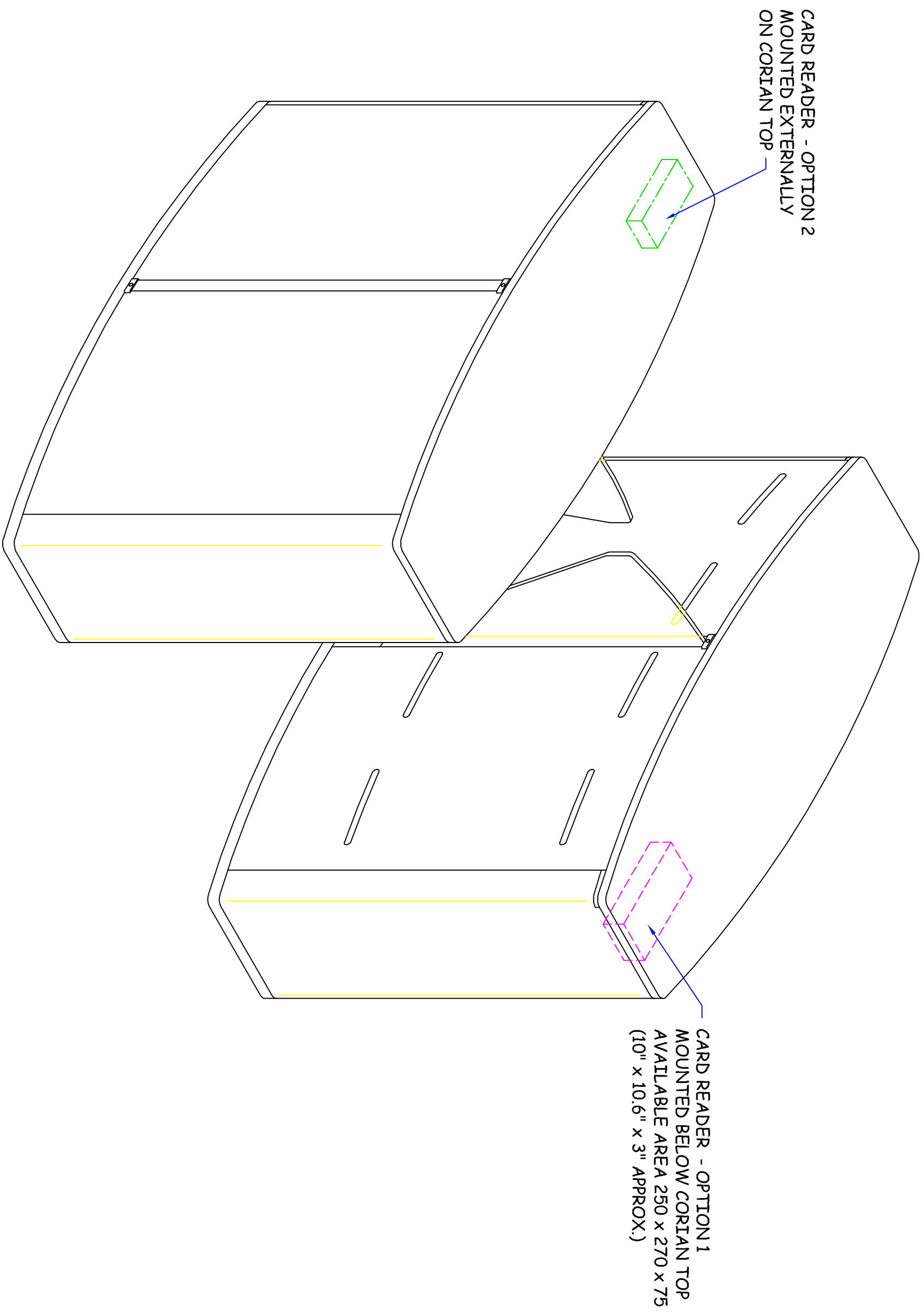
PRODUCT: GLASSWING DDA

TITLE: GENERAL LAYOUT

DRAWN: RST DRAWING No: 5665\_491\_A0

DATE: 27.3.08 This document is the copyright of Integrated Design Ltd



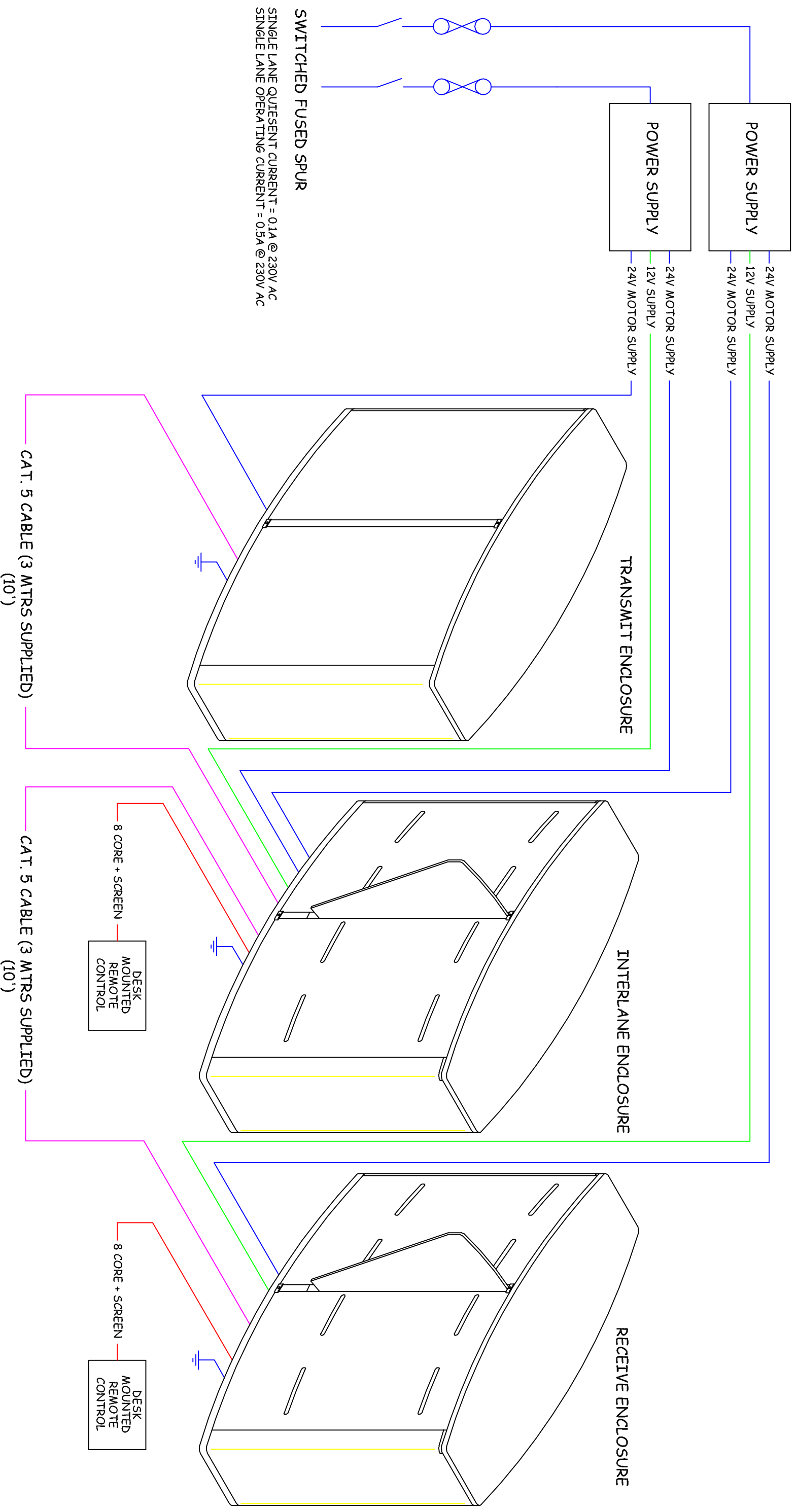


CARD READER - OPTION 2  
MOUNTED EXTERNALLY  
ON CORIAN TOP

CARD READER - OPTION 1  
MOUNTED BELOW CORIAN TOP  
AVAILABLE AREA 250 x 270 x 75  
(10" x 10.6" x 3" APPROX.)

PRODUCT: GLASSWING DDA	
TITLE: CARD READER OPTIONS	
DRAWN: RST	DRAWING No: 5665_493_A0
DATE: 27.3.08	This document is the copyright of Integrated Design Ltd

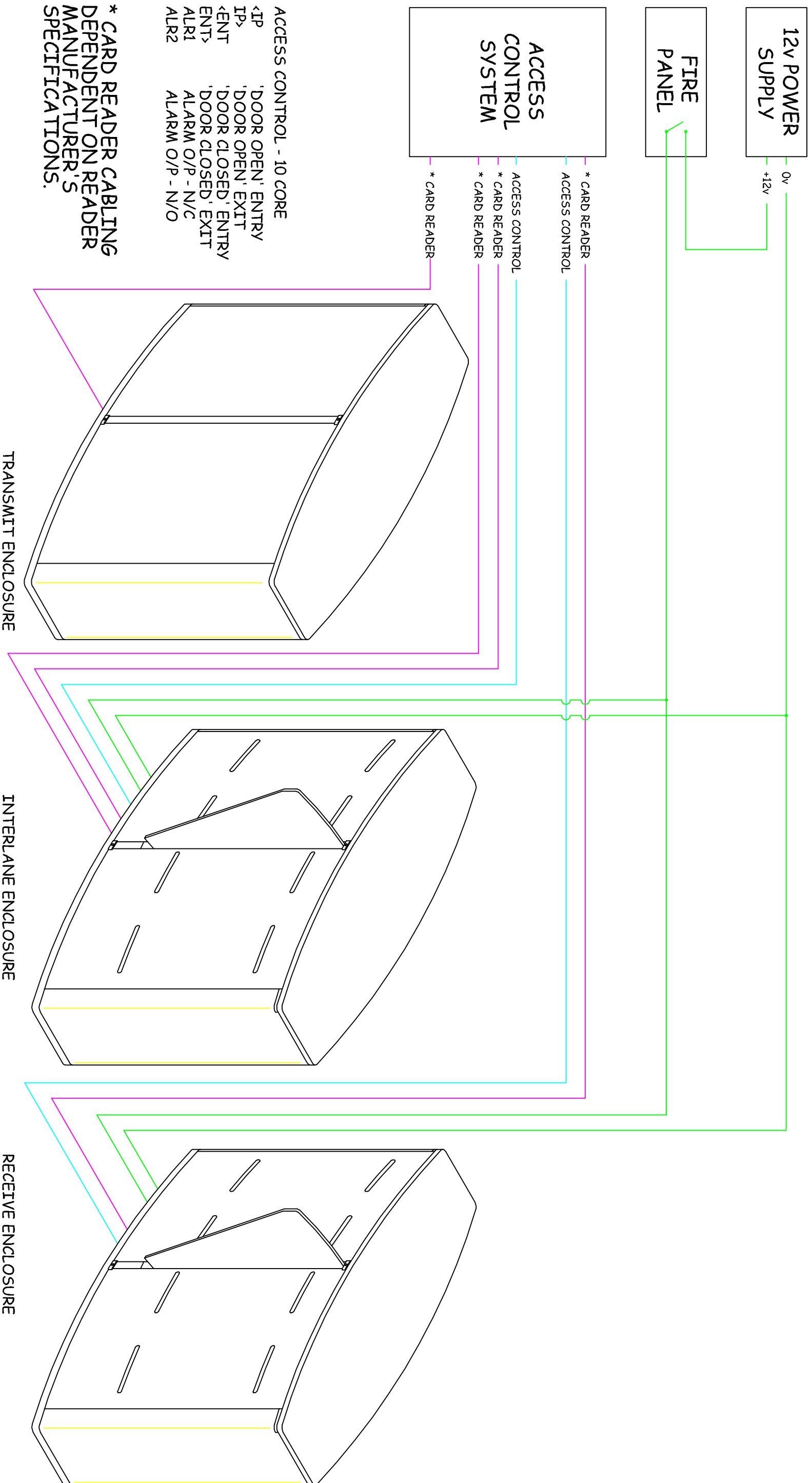




THIS DRAWING SHOWS THE GLASSWING CABLING REQUIREMENTS. IT IS TO BE READ IN CONJUNCTION WITH DRAWING 665\_498\_A0, WHICH SHOWS THE CABLING REQUIREMENTS FOR THE ACCESS CONTROL INTEGRATION. FOR FURTHER INFORMATION, REFER TO THE INSTALLATION MANUAL.

PRODUCT: GLASSWING DDA	
TITLE: CABLING REQUIREMENTS	
DRAWN: RST	DRAWING No: 5665_497_A0
DATE: 27.3.08	This document is the copyright of Integrated Design Ltd





THIS DRAWING SHOWS THE ACCESS CONTROL INTEGRATION REQUIREMENTS. IT IS TO BE READ IN CONJUNCTION WITH DRAWING 665\_497\_A0 WHICH SHOWS THE GLASSWING CABLING REQUIREMENTS.

FOR FURTHER INFORMATION, REFER TO THE INSTALLATION MANUAL.

PRODUCT: GLASSWING DDA	
TITLE: CABLING REQUIREMENTS	
DRAWN: RST	DRAWING No: 5665_498_A0
DATE: 27.3.08	

This document is the copyright of  
Integrated Design Ltd

