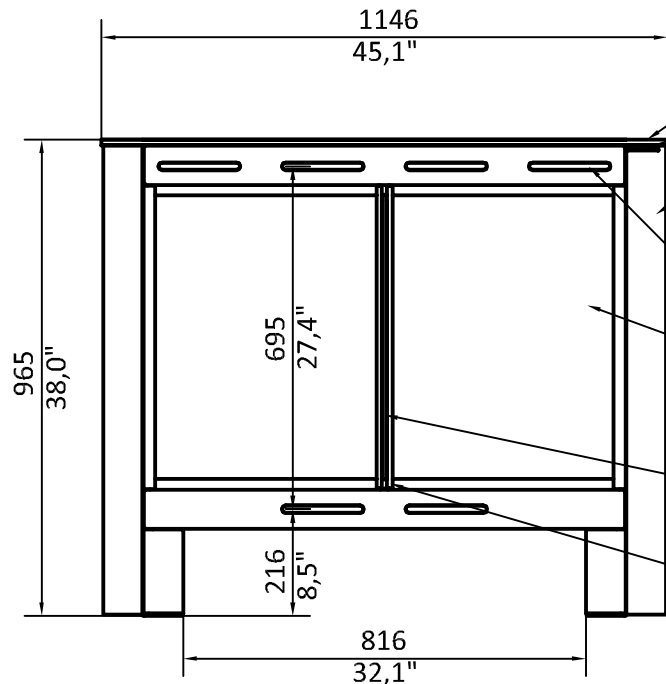
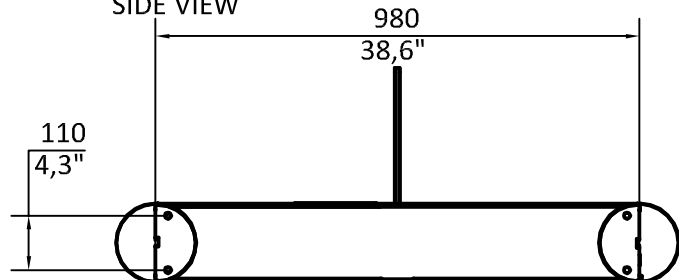


TOP VIEW

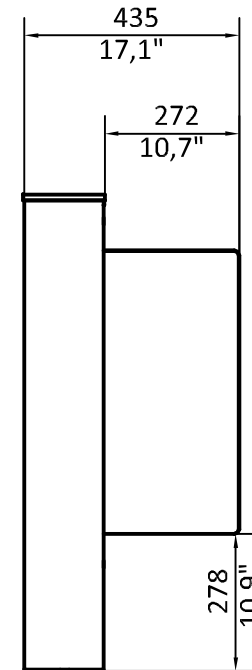


SIDE VIEW



BOTTOM VIEW

- DECORATIVE BLACK QUARTZ CORIAN TOP
- LANE STATUS INDICATOR
- STAINLESS STEEL END
240 GRIT- HORIZONTAL GRAIN
- INFRARED WINDOWS
BLACK GLOSS ACRYLIC
- GLASS SIDE PANEL
- GLASS PANEL
- STAINLESS STEEL
GLASS PANEL HOLDER



FRONT VIEW

PRODUCT:GLASSGATE 150

TITLE: GENERAL DIMENSIONS

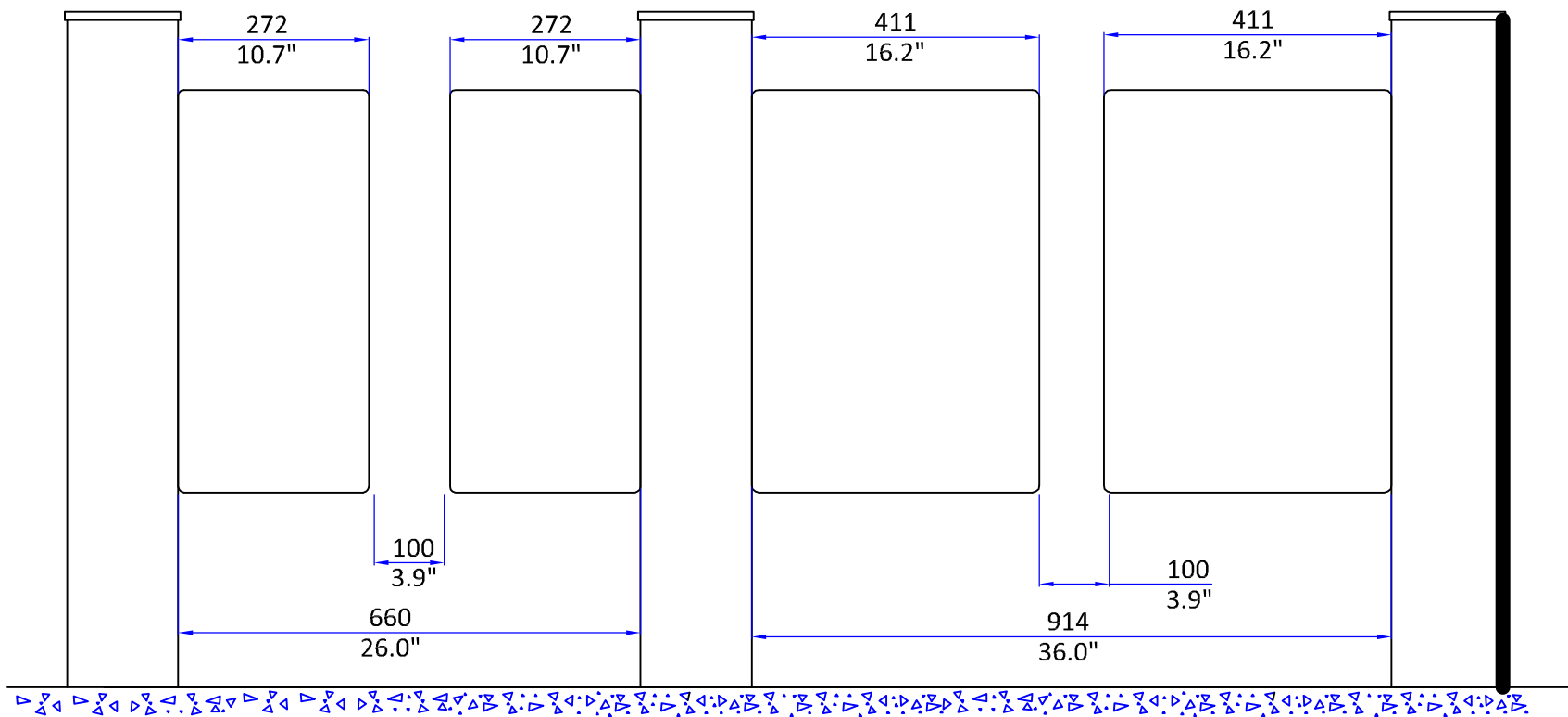
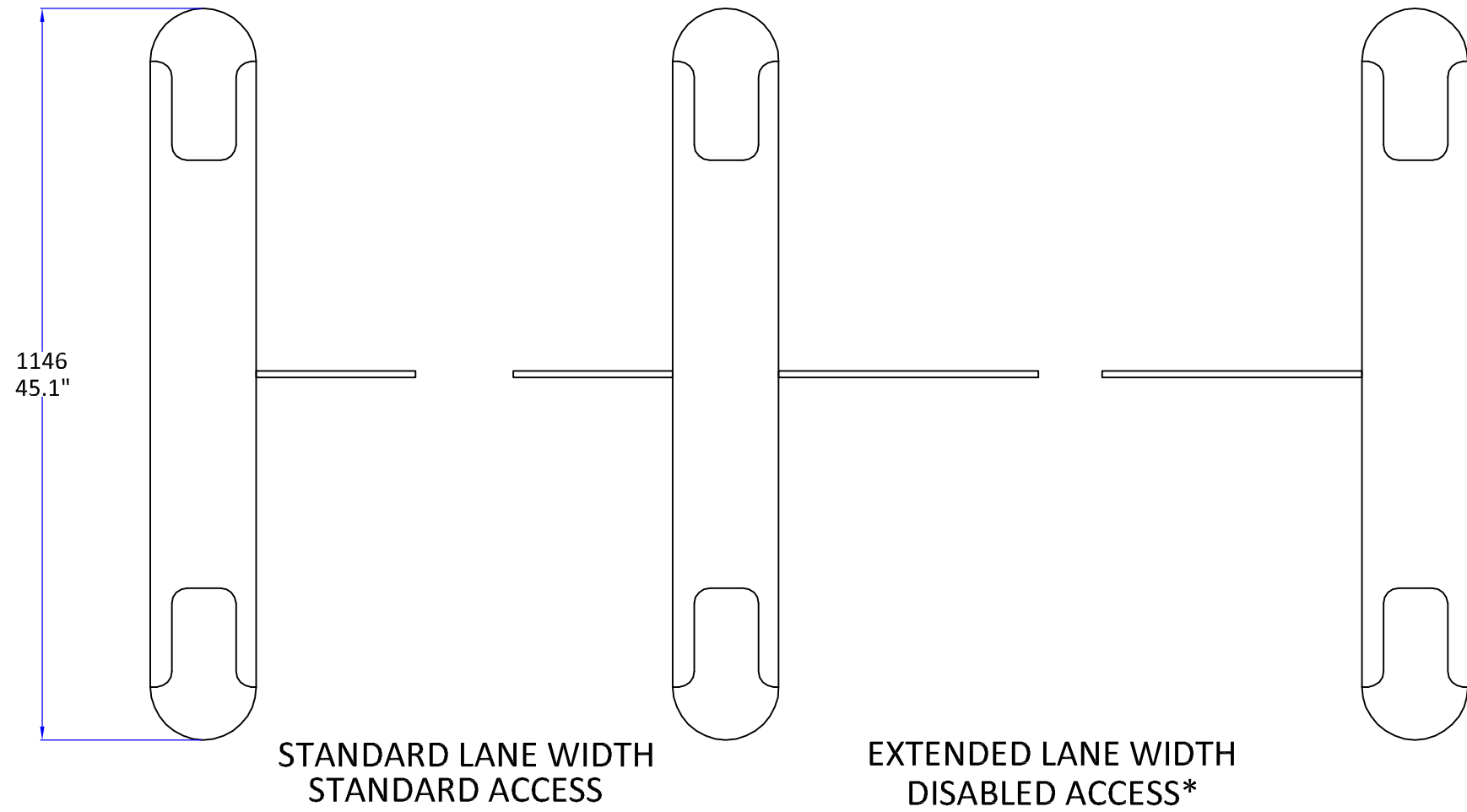
DRAWN:PTG

DRAWING No: S665_850_A0

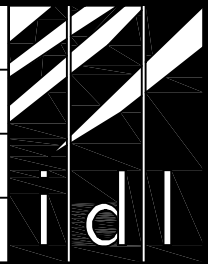
DATE:17/08/2011

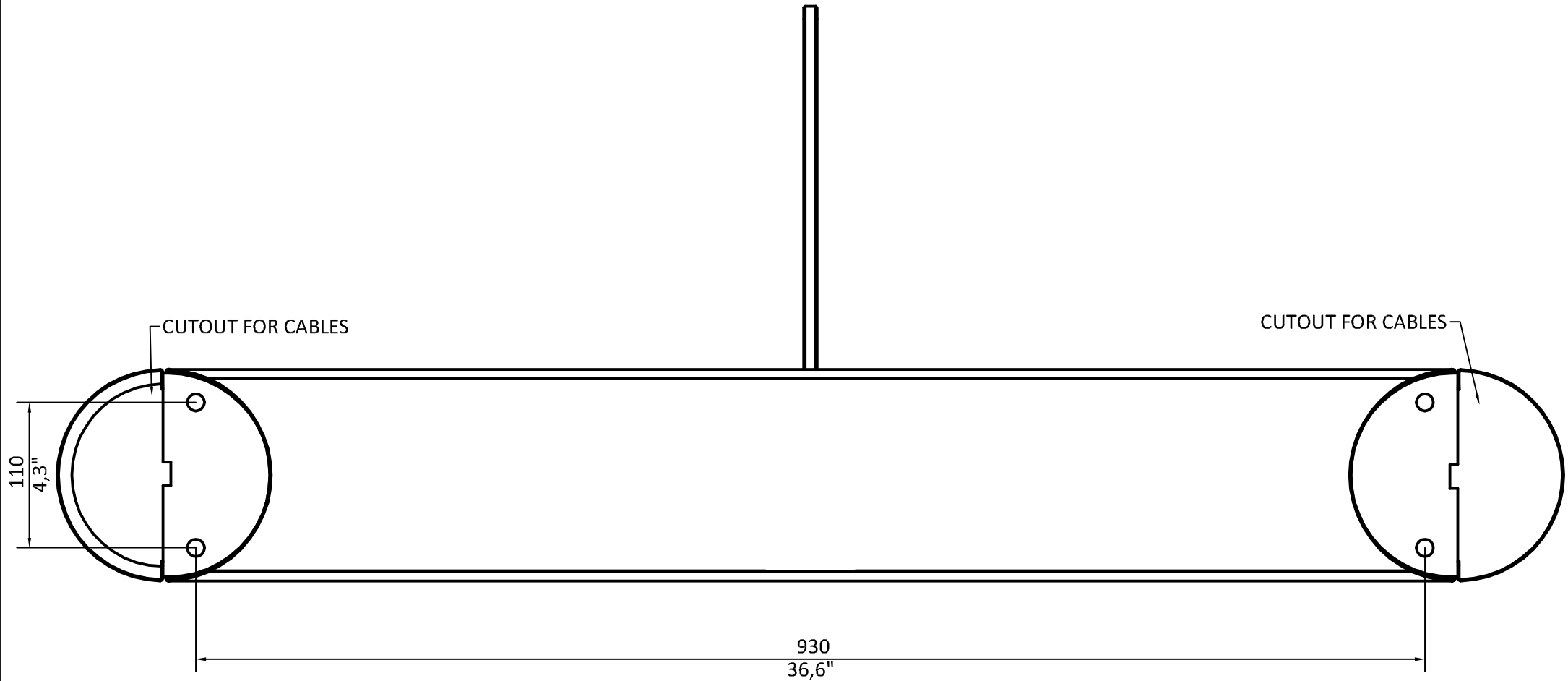
This document is the copyright of
Integrated Design Ltd





*SUBJECT TO LOCAL LEGISLATION

PRODUCT: GLASSGATE 150		
TITLE: GENERAL LAYOUT		
DRAWN: PTG	DRAWING No: S665_851_A0	
DATE: 18.08.11	This document is the copyright of Integrated Design Ltd	



PRODUCT:GLASSGATE 150	
TITLE: BASE DRILLING DETAILS	
DRAWN:PTG	DRAWING No:S665_853_A0
DATE:18/08/2011	This document is the copyright of Integrated Design Ltd



24v POWER SUPPLY

0v
+24v

FIRE PANEL

AUX 3

ACCESS CONTROL SYSTEM

ACCESS CONTROL
* CARD READER
ACCESS CONTROL
* CARD READER
* CARD READER
* CARD READER

38

FIRE INTEGRATION - 2- CORE
AUX 3

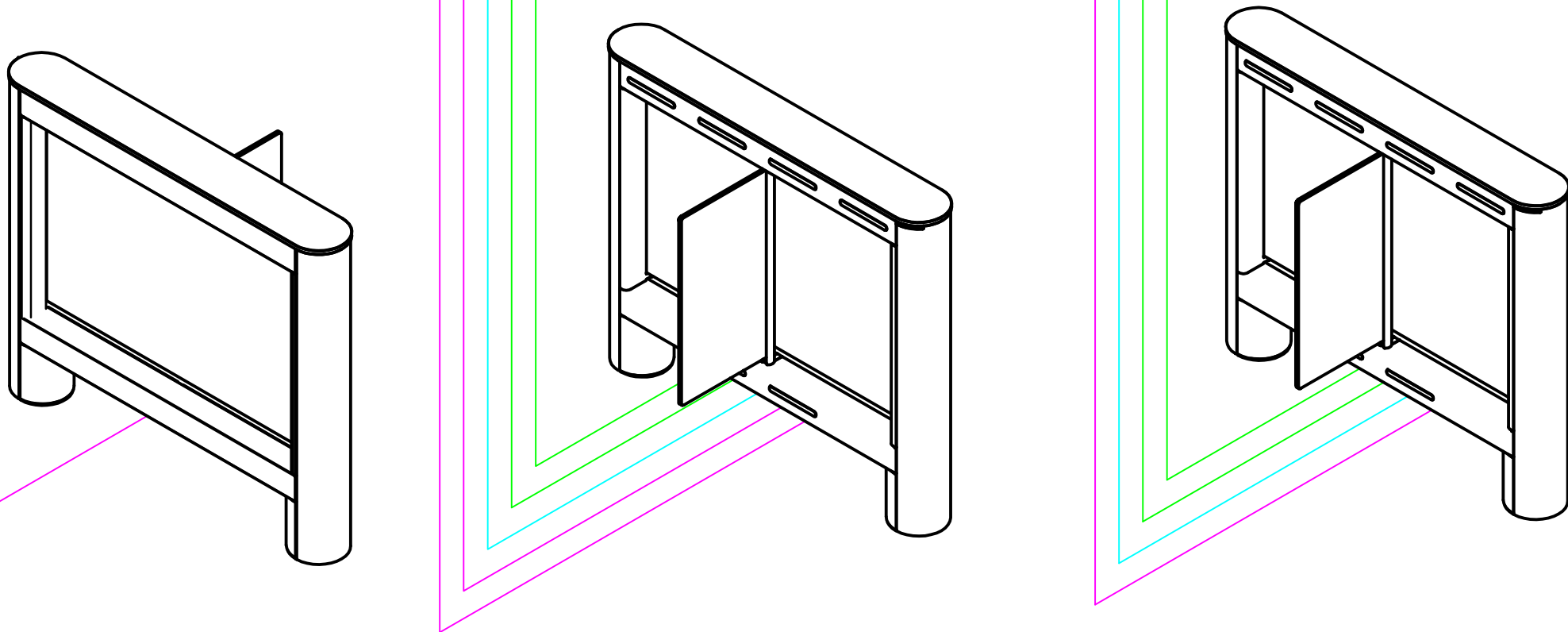
ACCESS CONTROL - 10-CORE

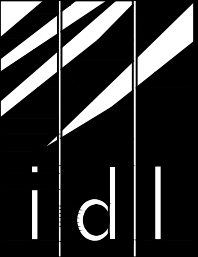
<IP 'DOOR OPEN' ENTRY
IP> 'DOOR OPEN' EXIT
<ENT 'DOOR MONITOR' ENTRY
ENT> 'DOOR MONITOR' EXIT
ALR ALARM O/P

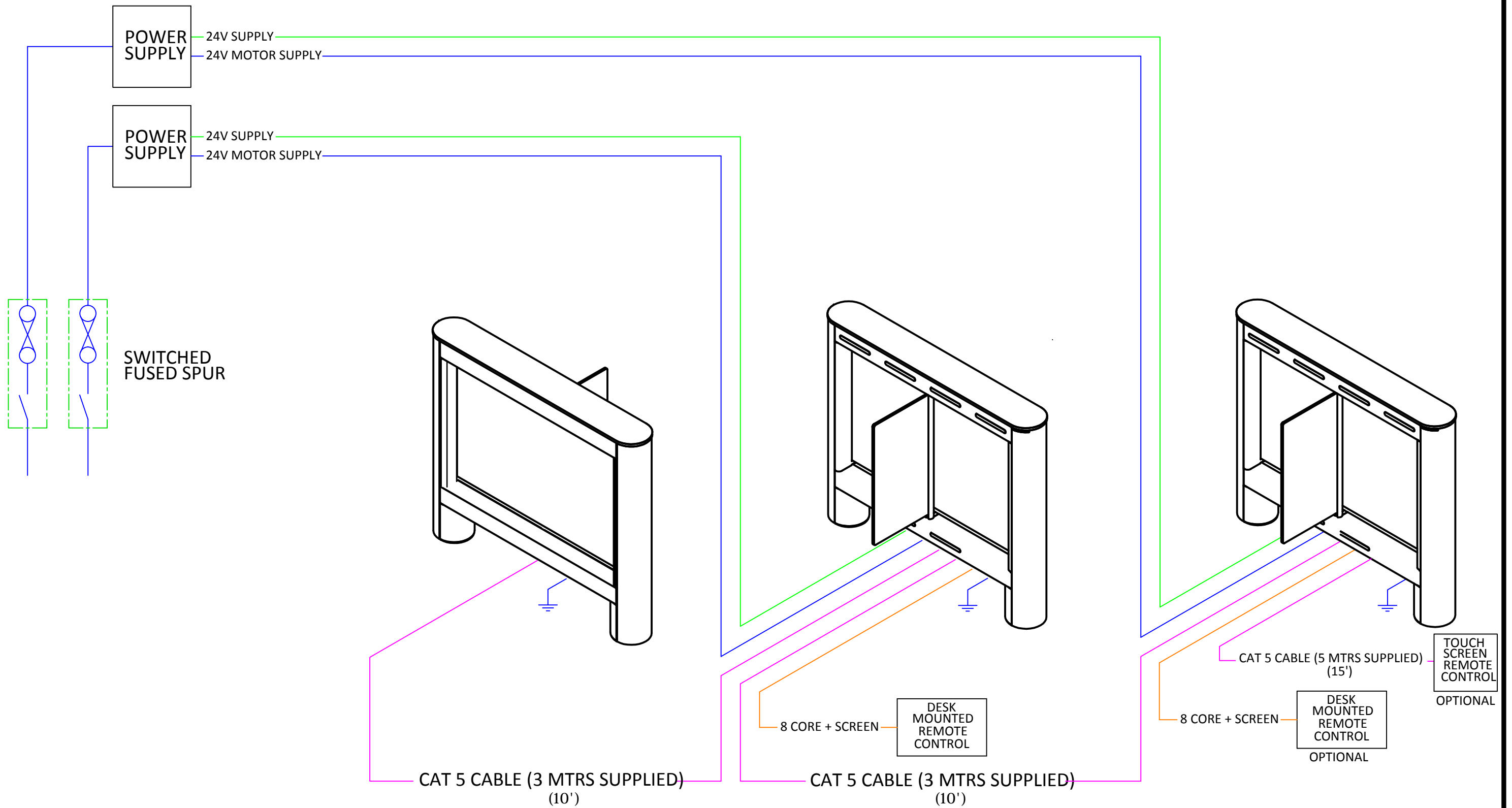
* CARD READER CABLING
DEPENDENT ON READER
MANUFACTURER'S
SPECIFICATIONS.

THIS DRAWING SHOWS THE ACCESS CONTROL INTEGRATION REQUIREMENTS.
IT IS TO BE READ IN CONJUNCTION WITH DRAWING 665_864_A4
WHICH SHOWS THE GLASSGATE CABLING REQUIREMENTS.

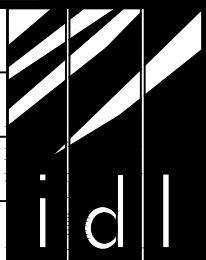
FOR FURTHER INFORMATION, REFER TO THE INSTALLATION MANUAL.



PRODUCT: GLASSGATE 150		
TITLE: CABLING REQUIREMENTS		
DRAWN: PTG	DRAWING No: S665_854_A0	
DATE: 18.8.11	This document is the copyright of Integrated Design Ltd	



THIS DRAWING SHOWS THE GLASSGATE CABLING REQUIREMENTS.
 IT IS TO BE READ IN CONJUNCTION WITH DRAWING 665_865_A0, WHICH
 SHOWS THE CABLING REQUIREMENTS FOR THE ACCESS CONTROL INTEGRATION.
 FOR FURTHER INFORMATION, REFER TO THE INSTALLATION MANUAL.

PRODUCT: GLASSGATE 150		
TITLE: CABLING REQUIREMENTS		
DRAWN: PTG	DRAWING No: S665_855_A0	
DATE: 18.08.11	This document is the copyright of Integrated Design Ltd	