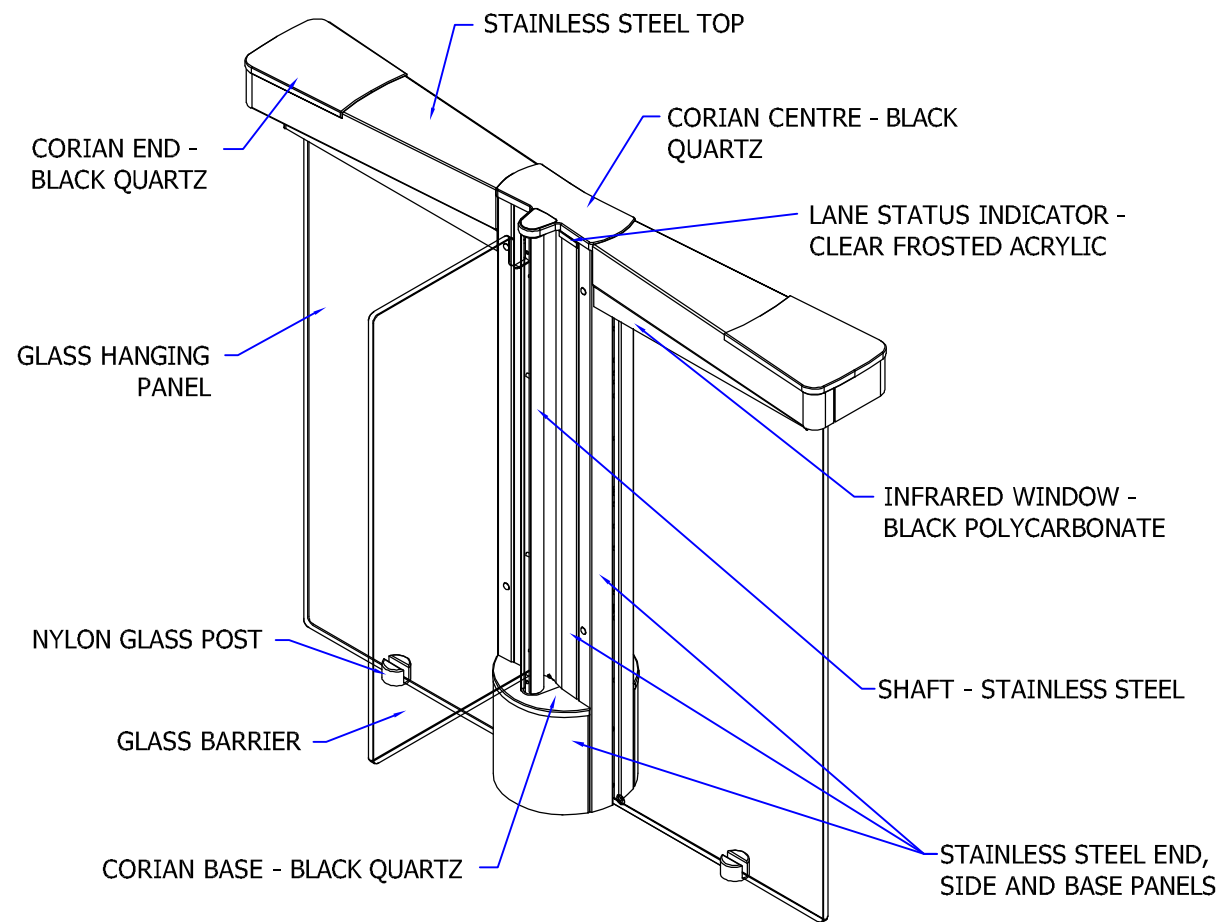
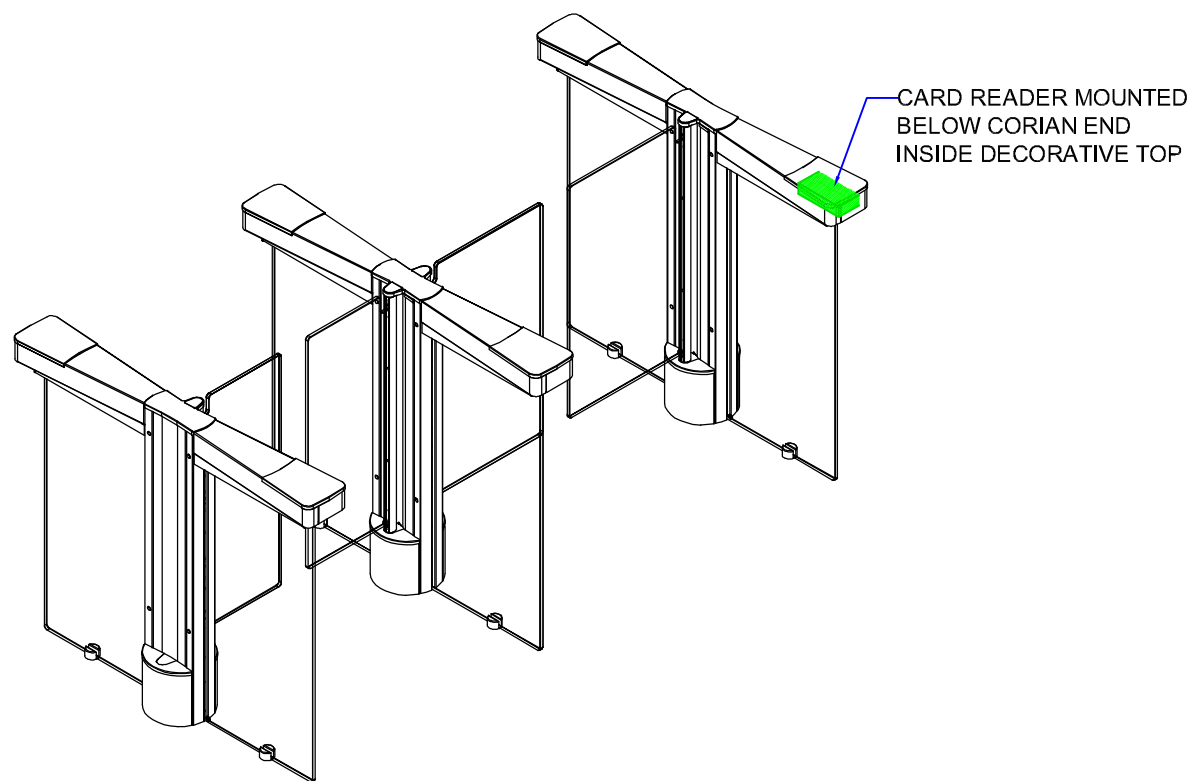


**MATERIAL SPECIFICATIONS**

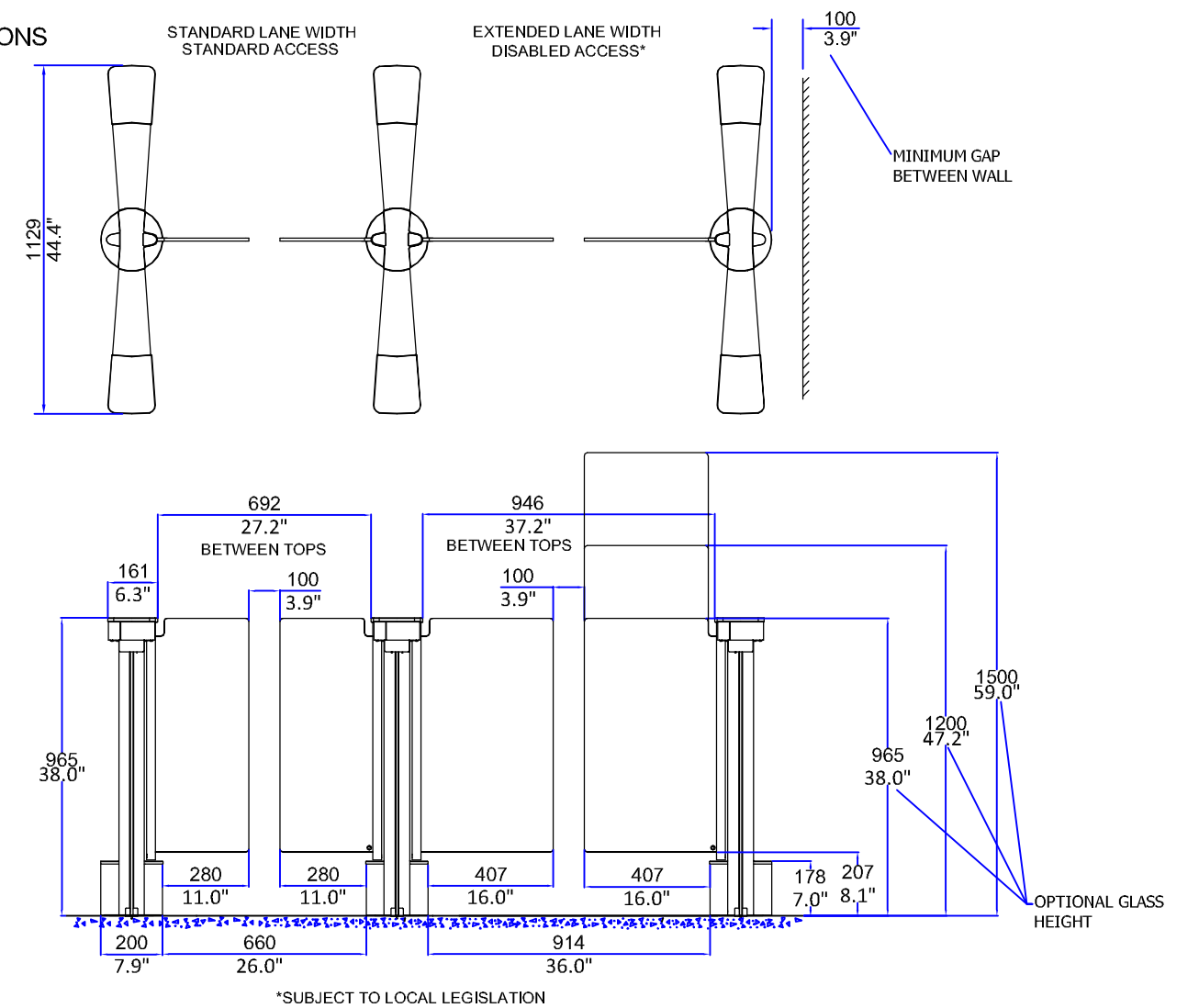


ALL GLASS IS TOUGHENED - EN14179  
 ALL STAINLESS STEEL IS 304 GRADE SATIN FINISH AND 240 GRIT WITH HORIZONTAL GRAIN

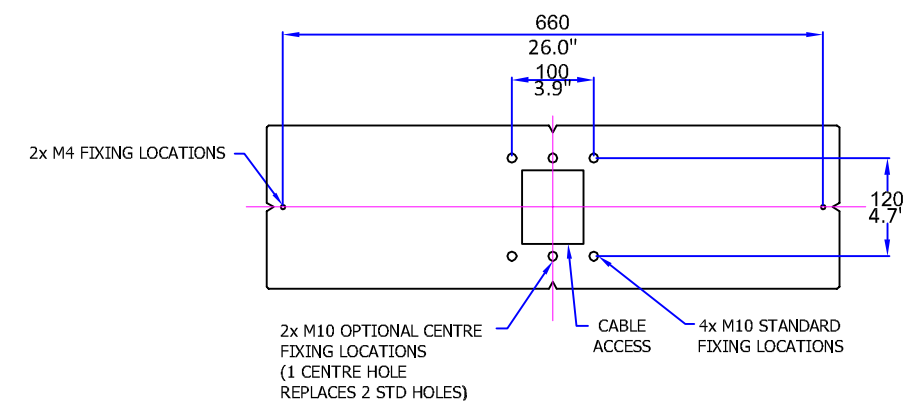
**READER MOUNTING OPTIONS**



**LANE LAYOUT & GENERAL DIMENSIONS**



**PEDESTAL FIXING LOCATIONS**



**PRODUCT: GLASSGATE 300**

**TITLE: GENERAL INFORMATION**

**DRAWING No: GG300\_A3**

FOR SALES INFORMATION ONLY-SUBJECT TO CHANGE  
 ALL DIMENSIONS +/- 2MM

This document is the copyright of Integrated Design Ltd

