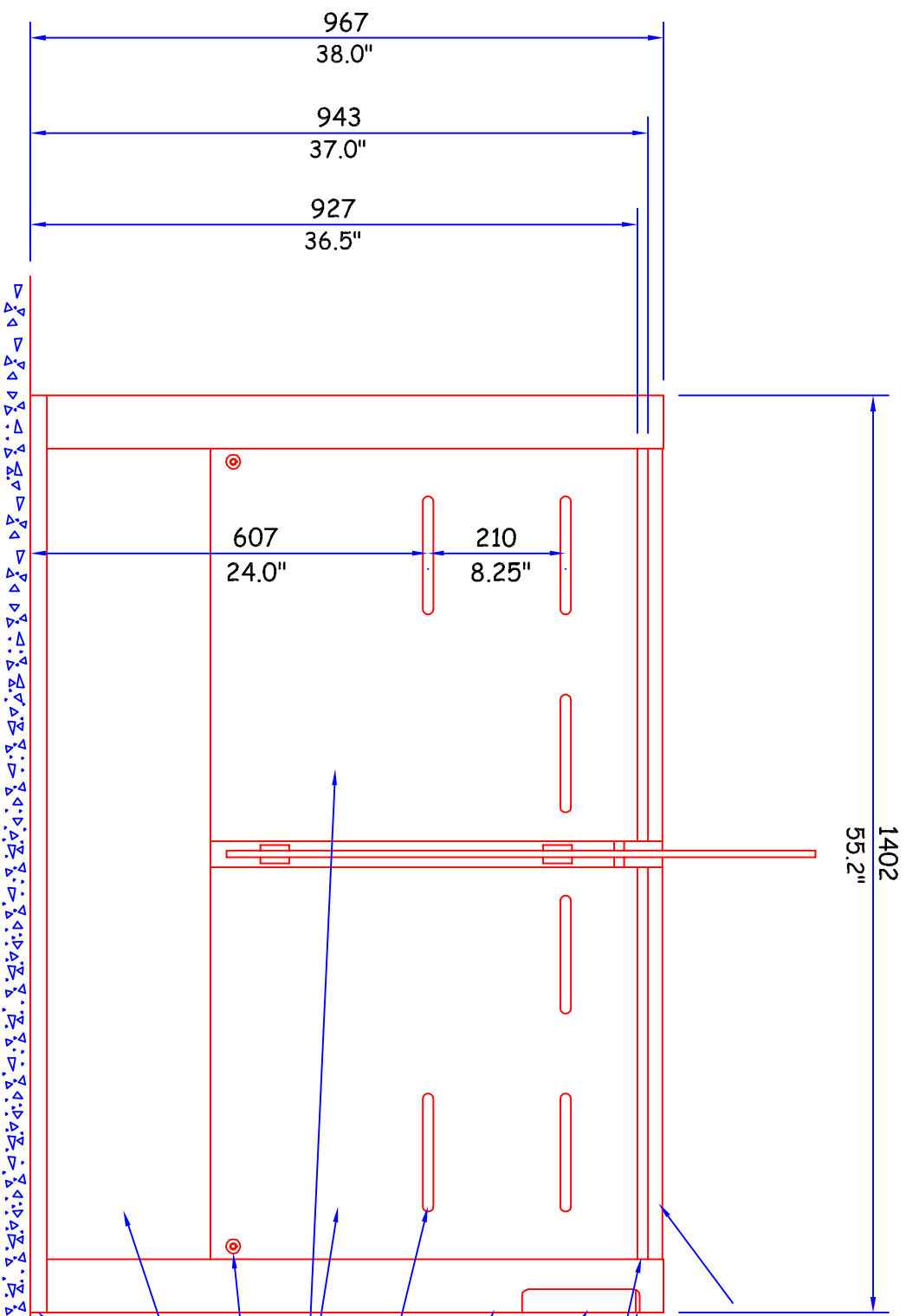
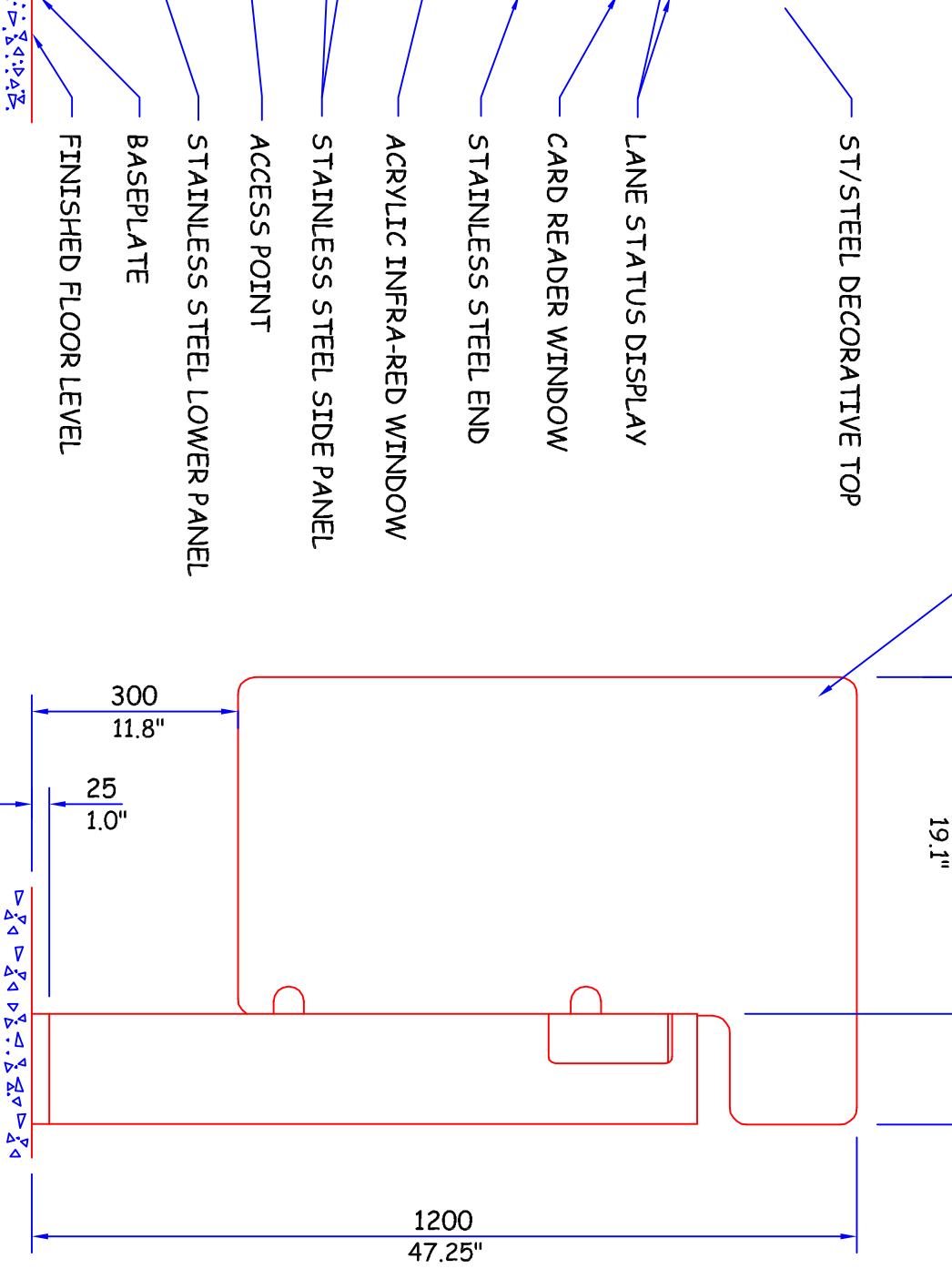


10mm TOUGHENED GLASS PANEL - BS 6206

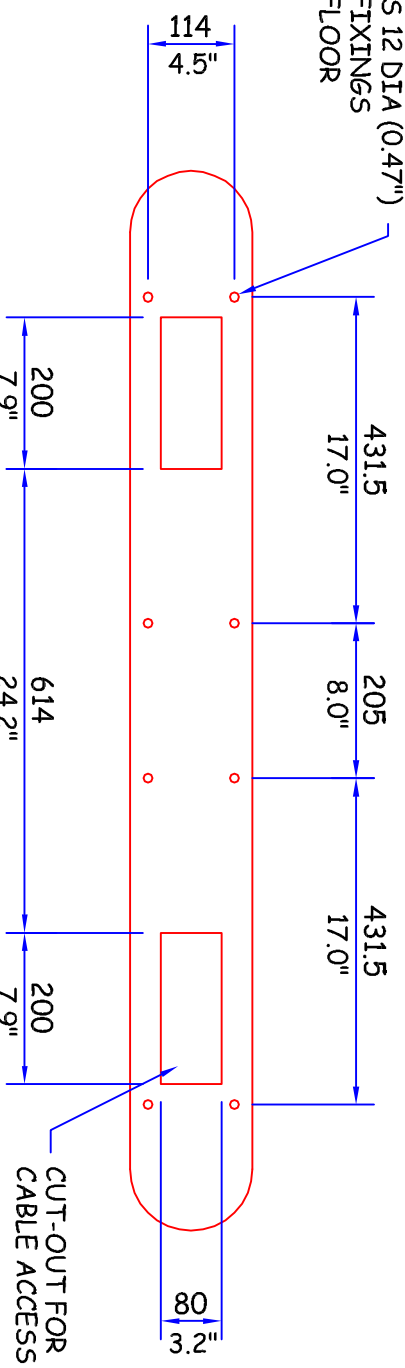


SIDE VIEW



END VIEW

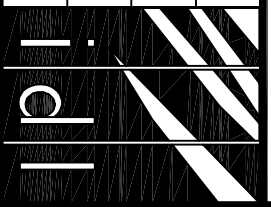
8 FIXING HOLES 12 DIA (0.47") FOR M10 (3/8") FIXINGS SUITABLE FOR FLOOR

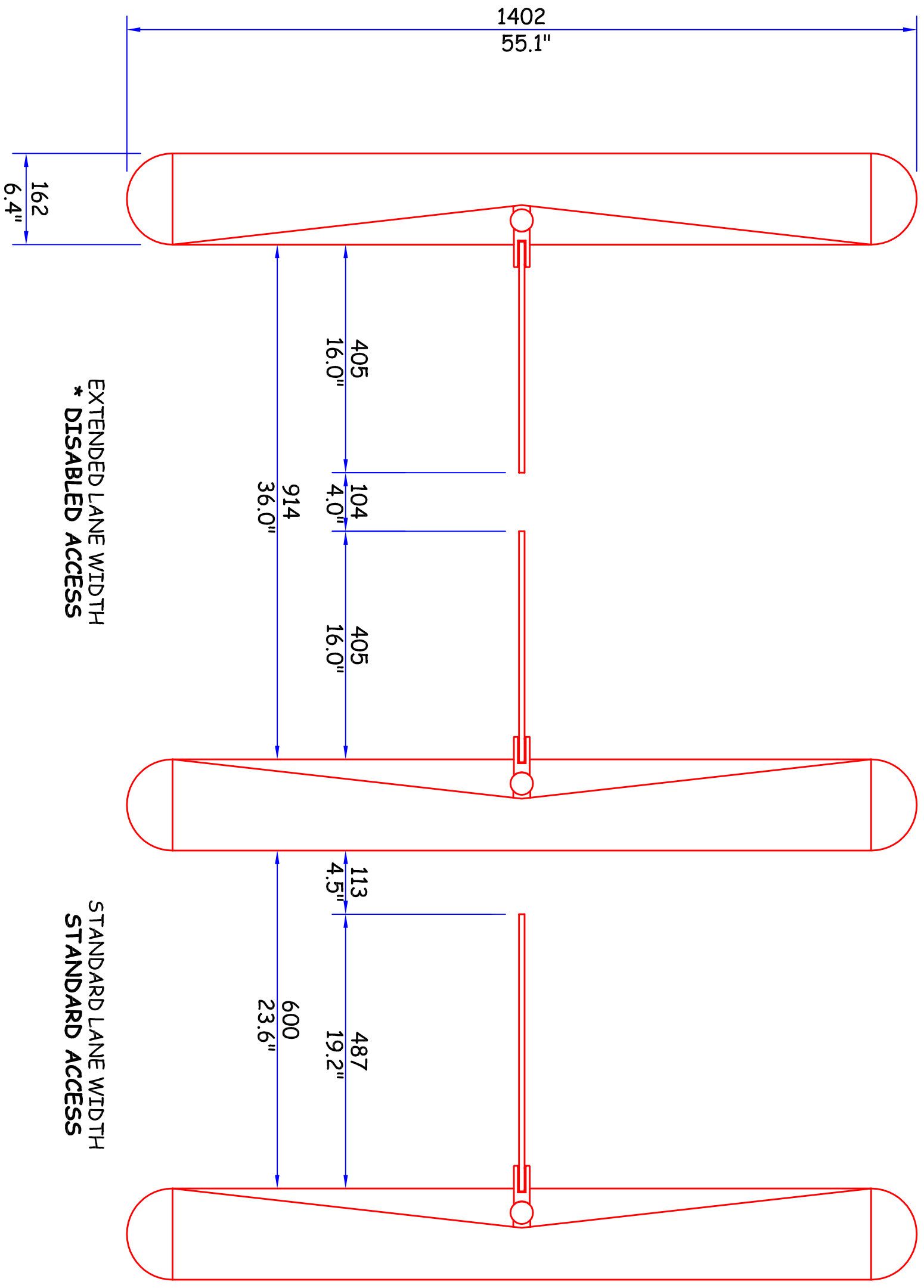


BASE VIEW (VIEWED FROM ABOVE)

OVERALL FINISHED WEIGHT OF PEDESTAL - 95 Kg

PRODUCT: GLASSGATE	
TITLE: GENERAL DIMENSIONS	
DRAWN: RST	DRAWING No: S665_220_A2
DATE: 10.5.05	This document is the copyright of Integrated Design Ltd



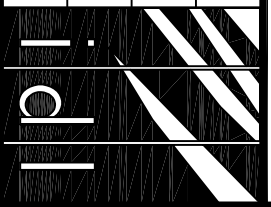


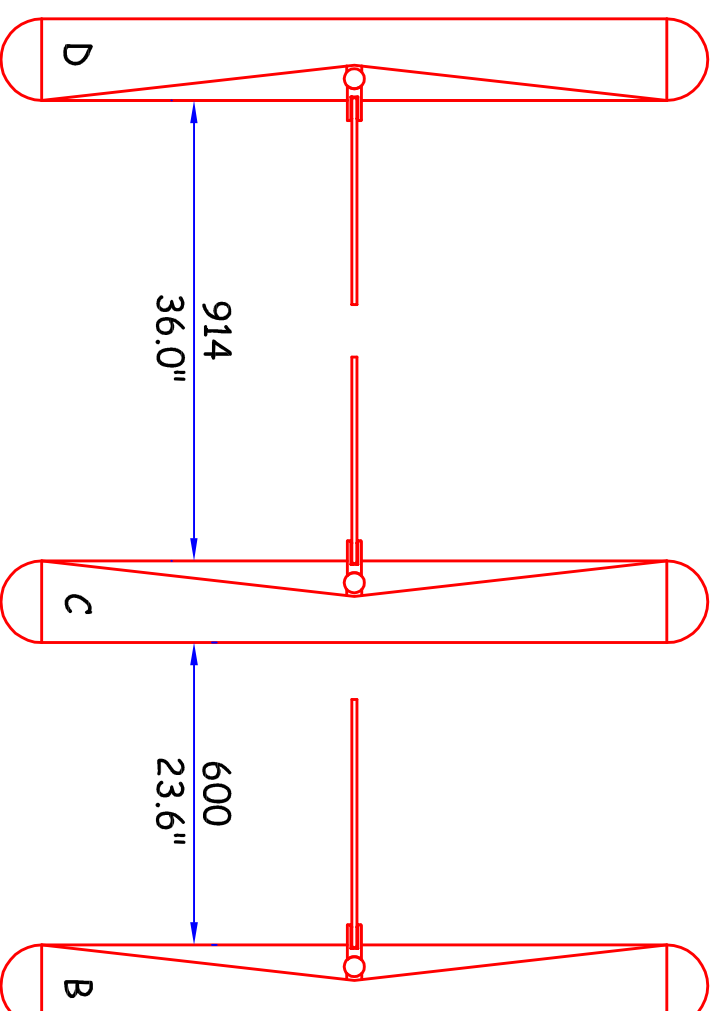
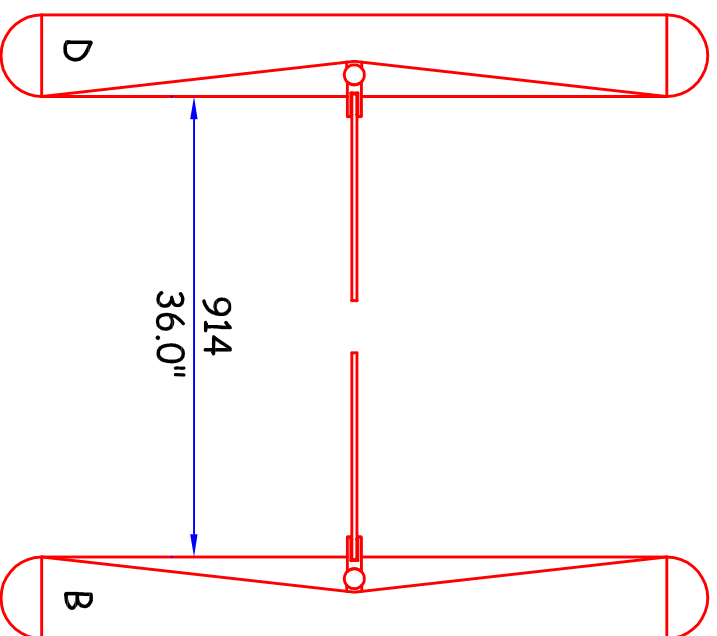
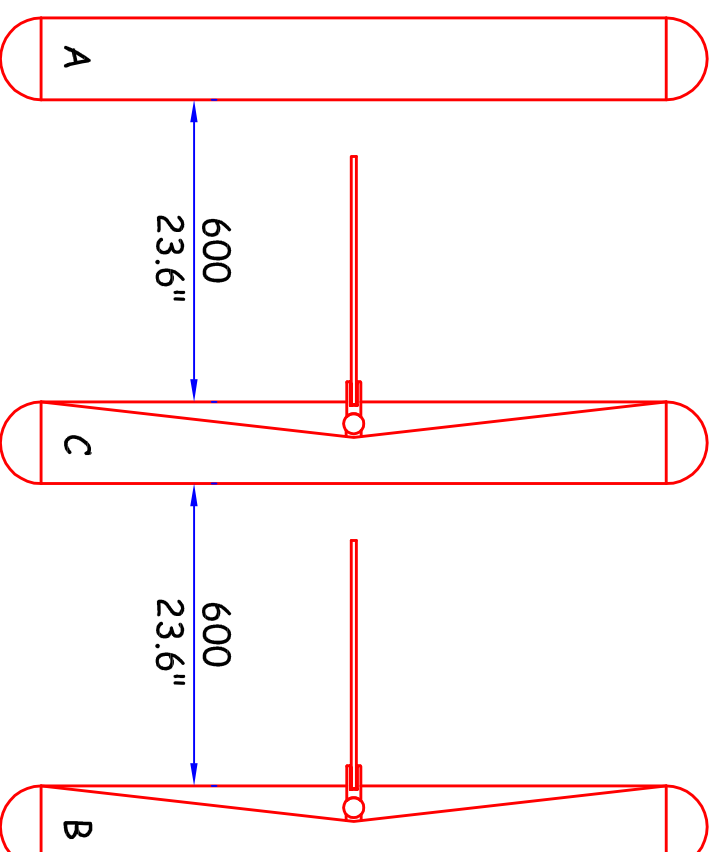
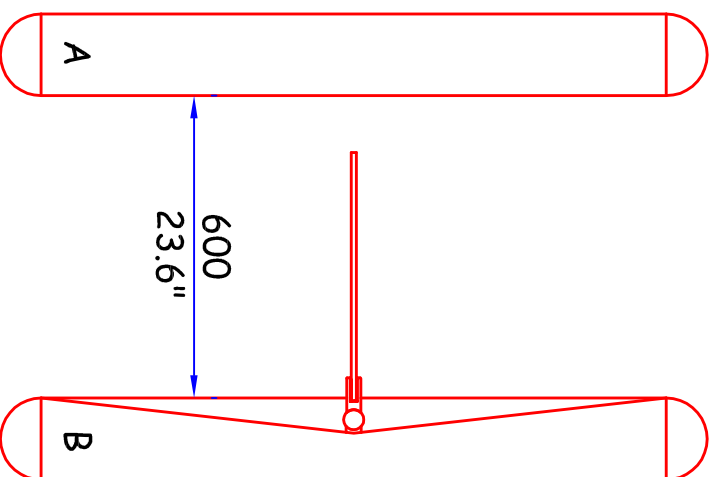
EXTENDED LANE WIDTH
* DISABLED ACCESS

STANDARD LANE WIDTH
STANDARD ACCESS

* SUBJECT TO LOCAL LEGISLATION

PRODUCT: GLASSGATE	
TITLE: GENERAL LAYOUT	
DRAWN: RST	DRAWING No: 5665_221_A0
DATE: 10.5.05	This document is the copyright of Integrated Design Ltd





PEDESTAL TYPES

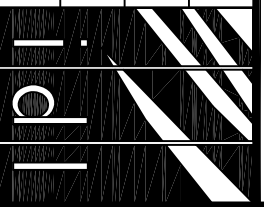
- A - TX ONLY
- B - RX GATE
- C - RX GATE/TX
- D - TX GATE

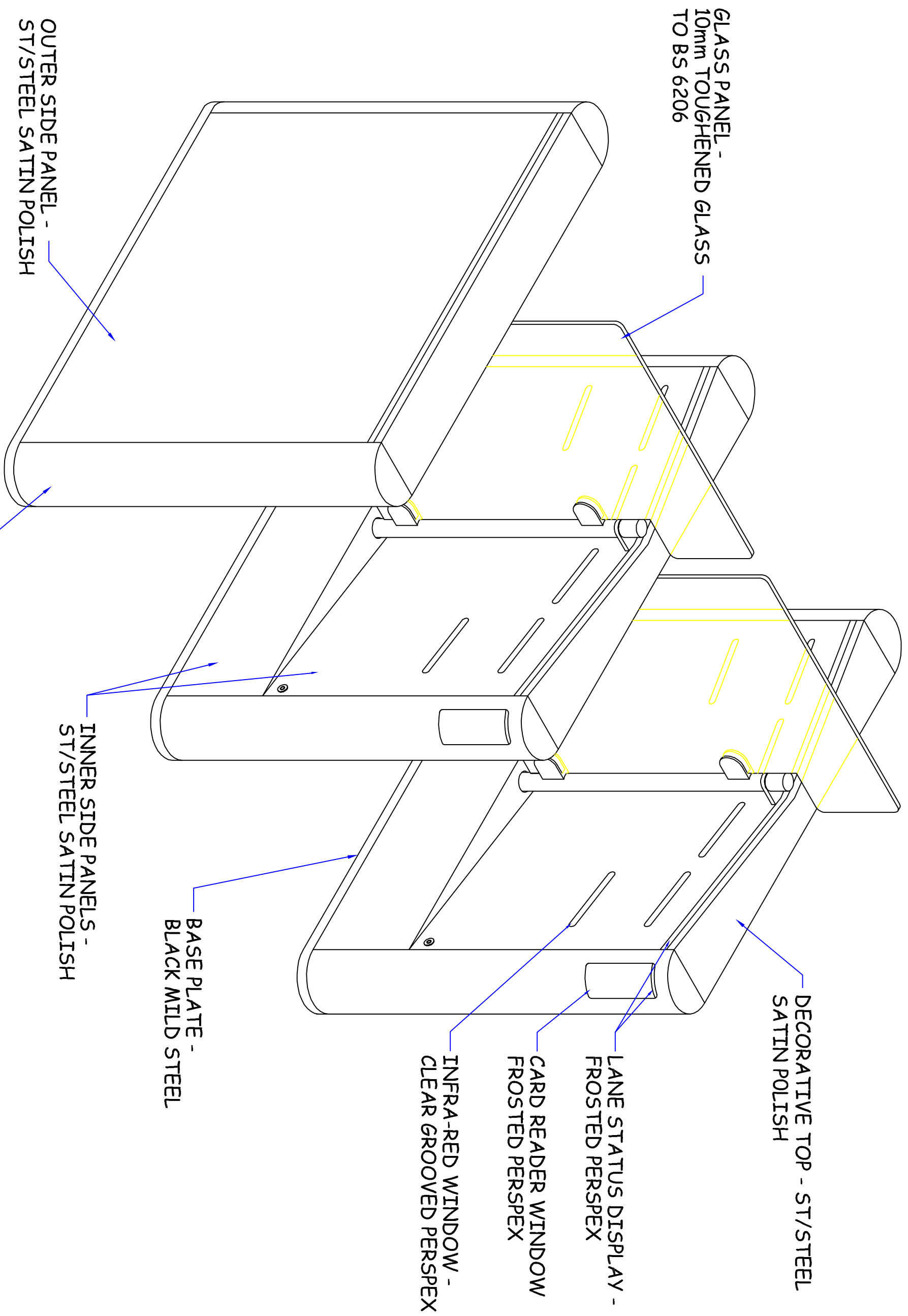
PRODUCT: GLASSGATE

TITLE: LAYOUT OPTIONS

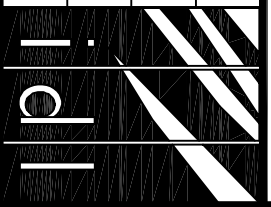
DRAWN: RST DRAWING No: 5665_222_A0

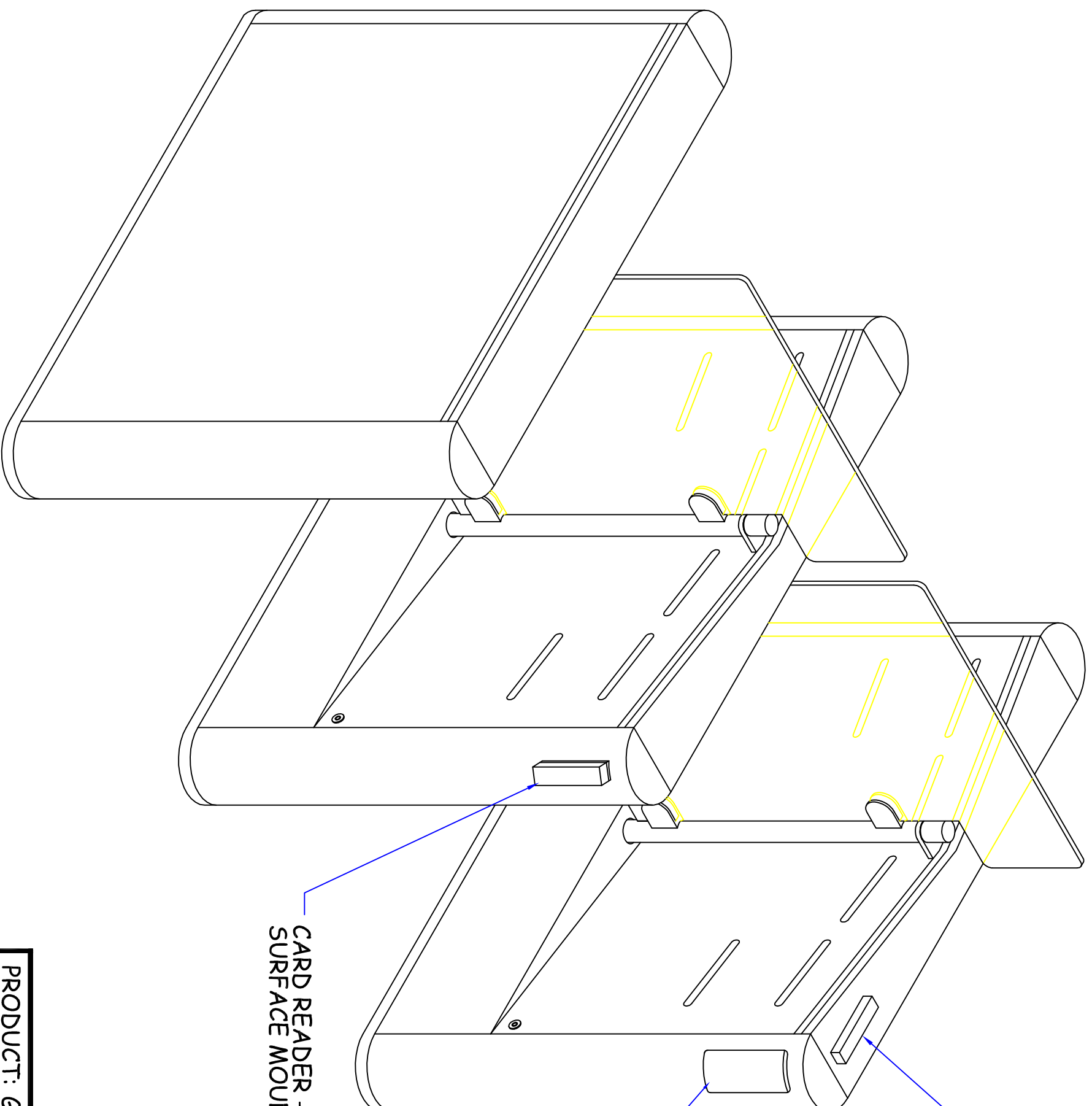
DATE: 10.5.05 This document is the copyright of Integrated Design Ltd





PRODUCT: GLASSGATE	
TITLE: MATERIAL SPECIFICATIONS	
DRAWN: RST	DRAWING No: 5665_223_A2
DATE: 10.5.05	This document is the copyright of Integrated Design Ltd



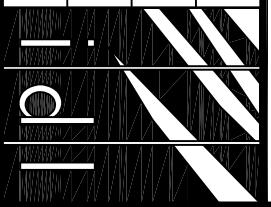


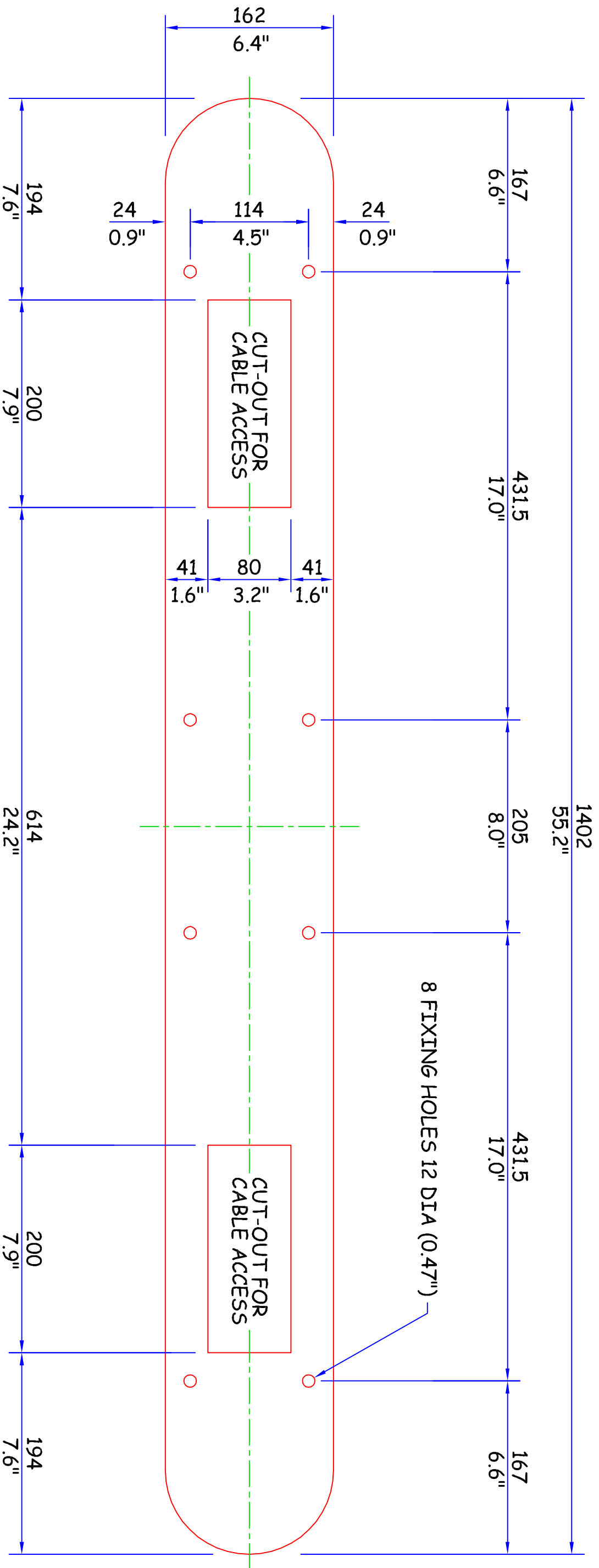
CARD READER - OPTION 'B'
SURFACE MOUNTED

CARD READER - OPTION 'A'
RECOMMENDED POSITION
BEHIND FLUSH PERSPEX

CARD READER - OPTION 'C'
SURFACE MOUNTED

PRODUCT: GLASSGATE	
TITLE: CARD READER LOCATION OPTIONS	
DRAWN: RST	DRAWING No: 5665_224_A1
DATE: 10.5.05	This document is the copyright of Integrated Design Ltd





8 FIXING HOLES 12 DIA (0.47")

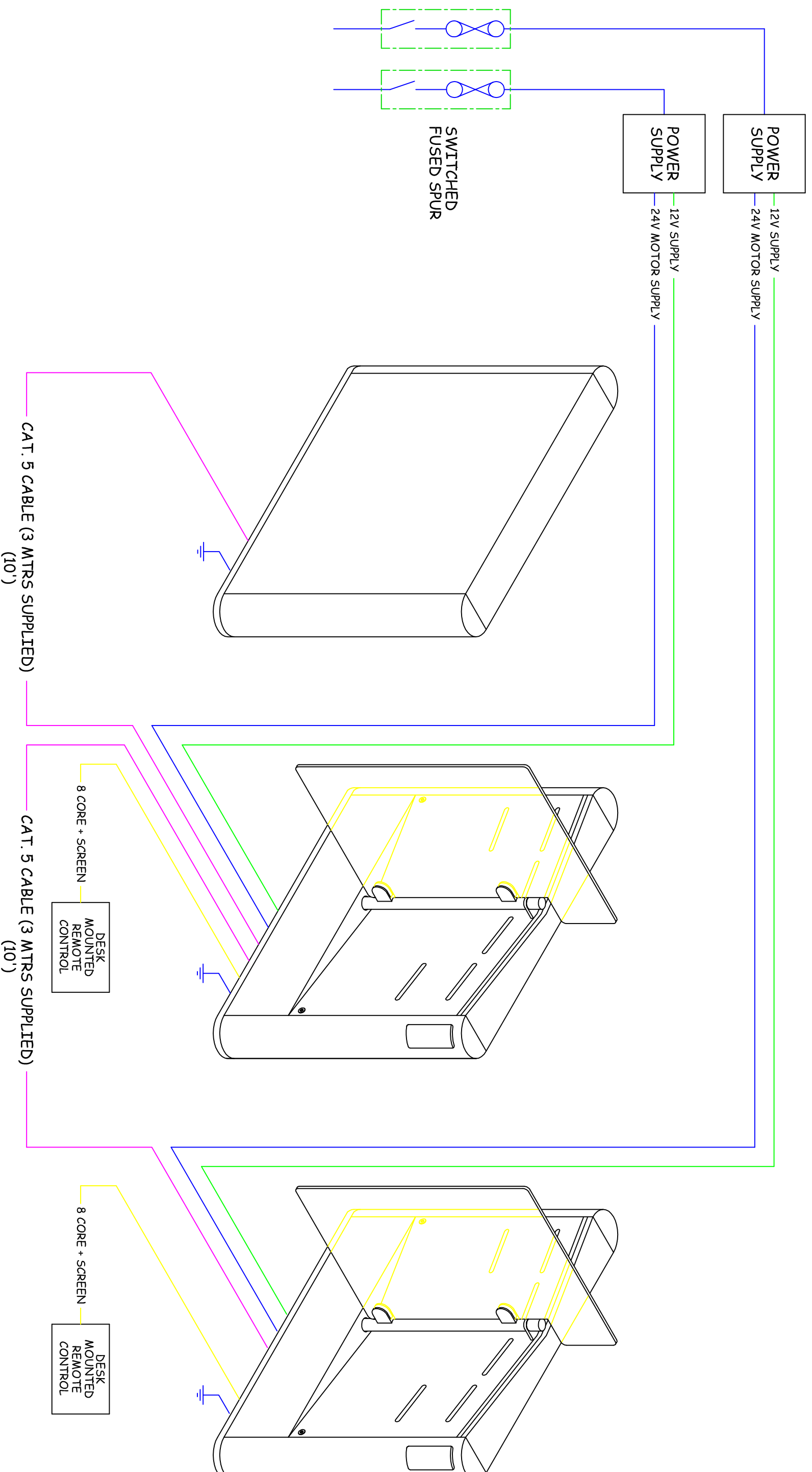
CUT-OUT FOR CABLE ACCESS

CUT-OUT FOR CABLE ACCESS

NOTE: UNIT IS TO BE SECURED TO THE FLOOR USING 10mm (0.375") DIA FIXINGS
SUITABLE FOR THE FLOOR STRUCTURE.

PRODUCT: GLASSGATE	
TITLE: BASE DRILLING TEMPLATE	
DRAWN: RST	DRAWING No: S665_225_A1
DATE: 10.5.05	This document is the copyright of Integrated Design Ltd





THIS DRAWING SHOWS THE GLASSGATE CABLING REQUIREMENTS. IT IS TO BE READ IN CONJUNCTION WITH DRAWING 665_228_A0, WHICH SHOWS THE CABLING REQUIREMENTS FOR THE ACCESS CONTROL INTEGRATION. FOR FURTHER INFORMATION, REFER TO THE INSTALLATION MANUAL.

PRODUCT: GLASSGATE	
TITLE: CABLING REQUIREMENTS	
DRAWN: RST	DRAWING No: 5665_227_A1
DATE: 10.5.05	This document is the copyright of Integrated Design Ltd

