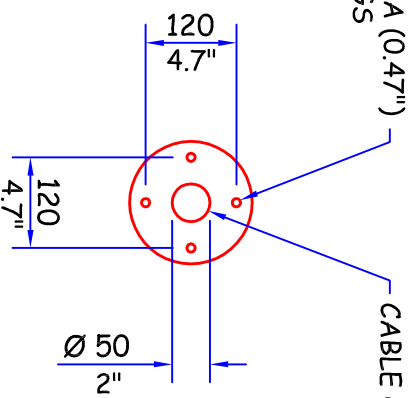


4 FIXING HOLES 12 DIA (0.47")
FOR M10 (3/8") FIXINGS
SUITABLE FOR FLOOR

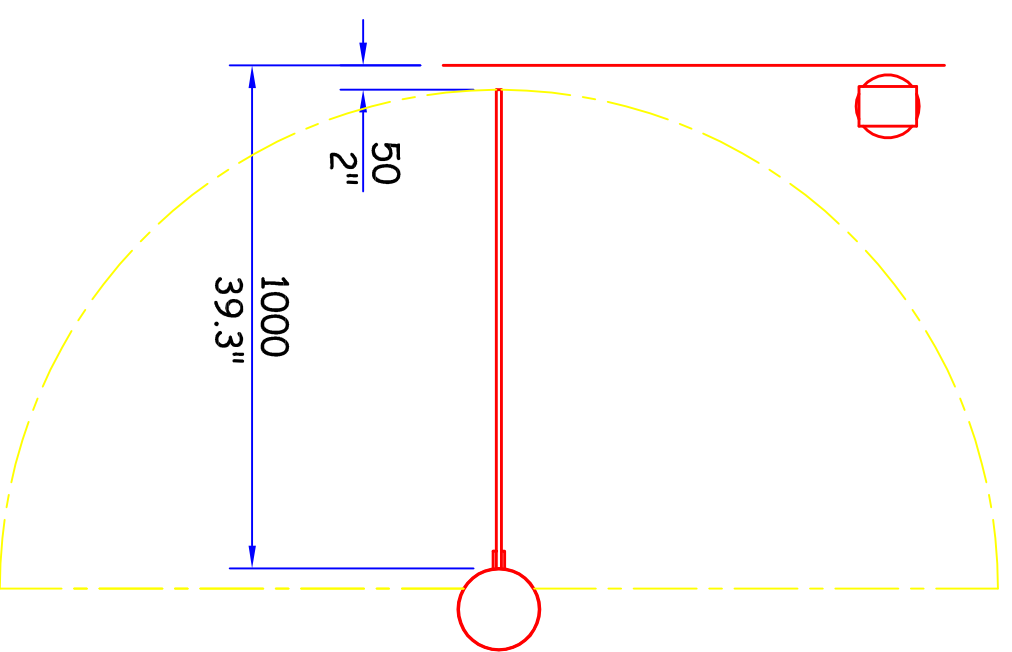
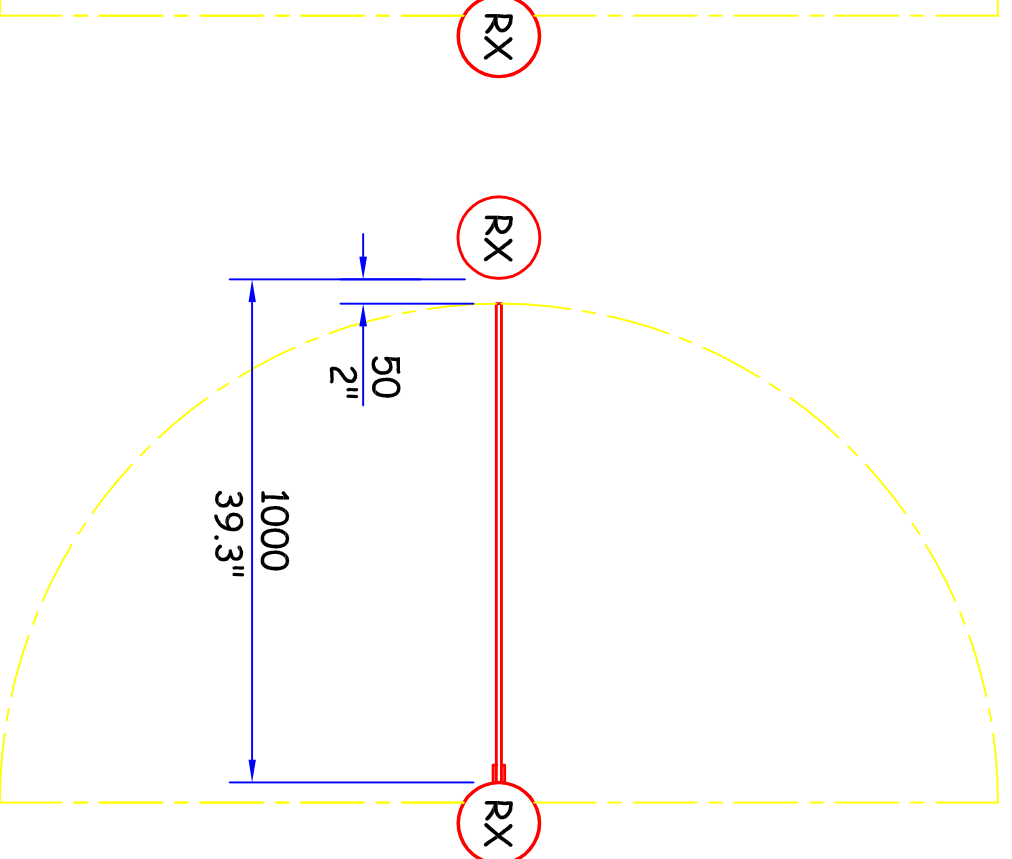
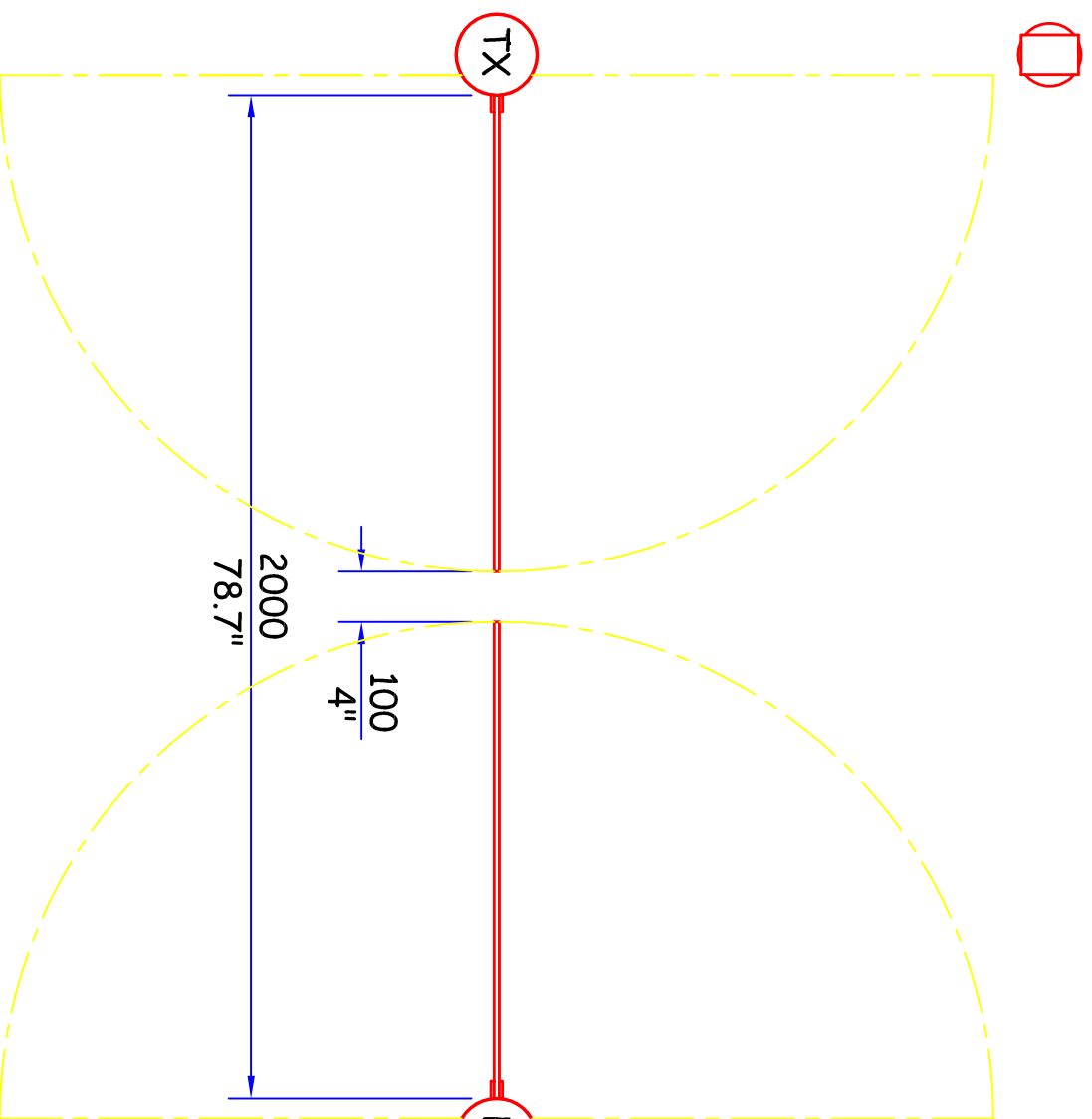


CABLE CONTAINMENT ACCESS HOLE

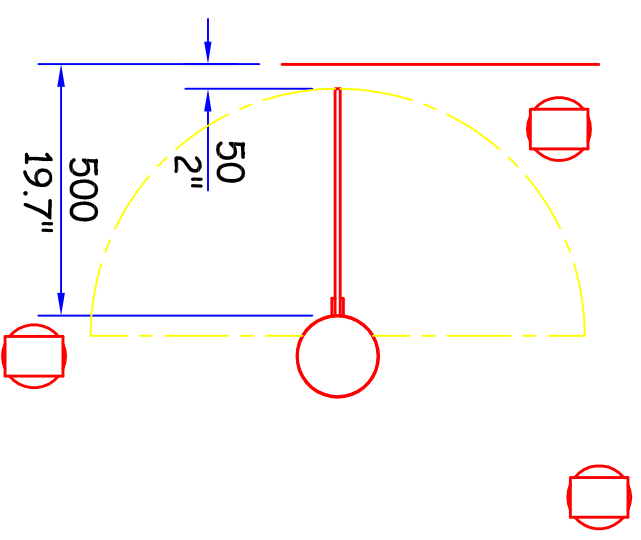
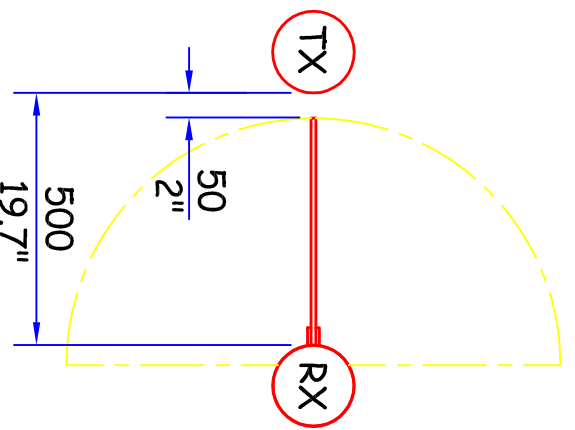
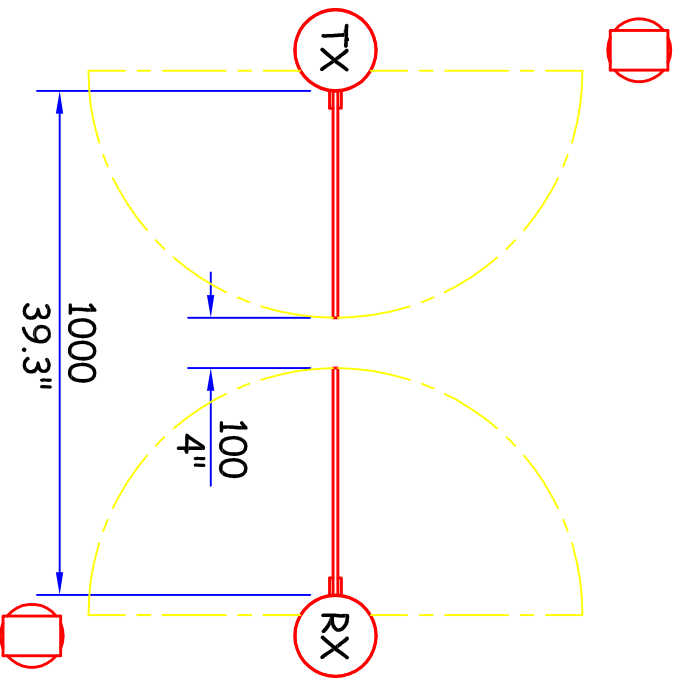
BASE VIEW
(VIEWED FROM ABOVE)

PRODUCT: PASSGATE/INTELLIGATE	
TITLE: GENERAL DIMENSIONS	
DRAWN: RST	DRAWING No: S665_250_A0
DATE: 3.2.06	This document is the copyright of Integrated Design Ltd





CARD READER POST



PRODUCT: PASSGATE/INTELLIGATE

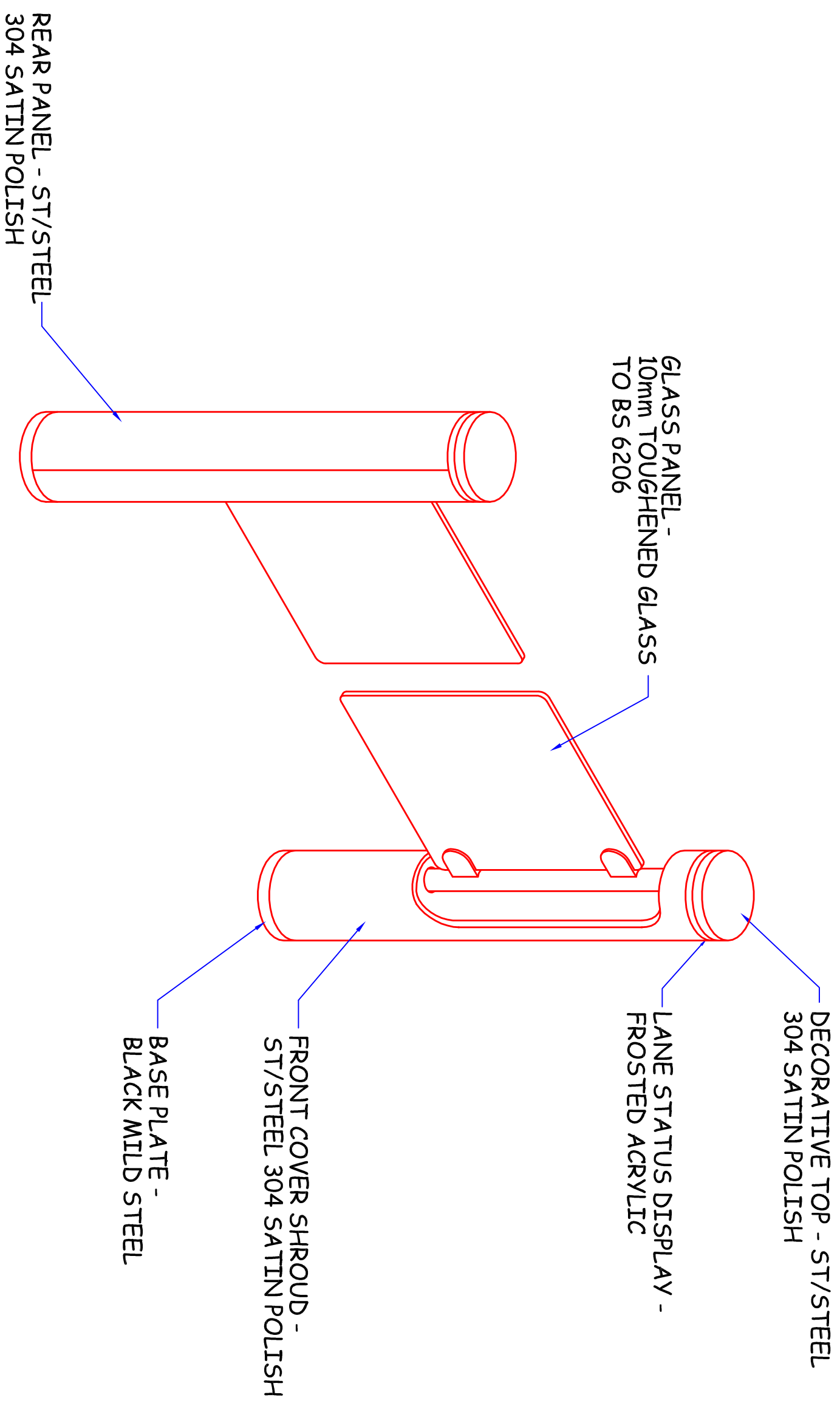
TITLE: LAYOUT OPTIONS

DRAWN: RST DRAWING No: 5665_251_A1

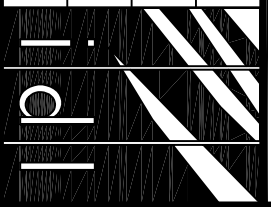
DATE: 3.2.06

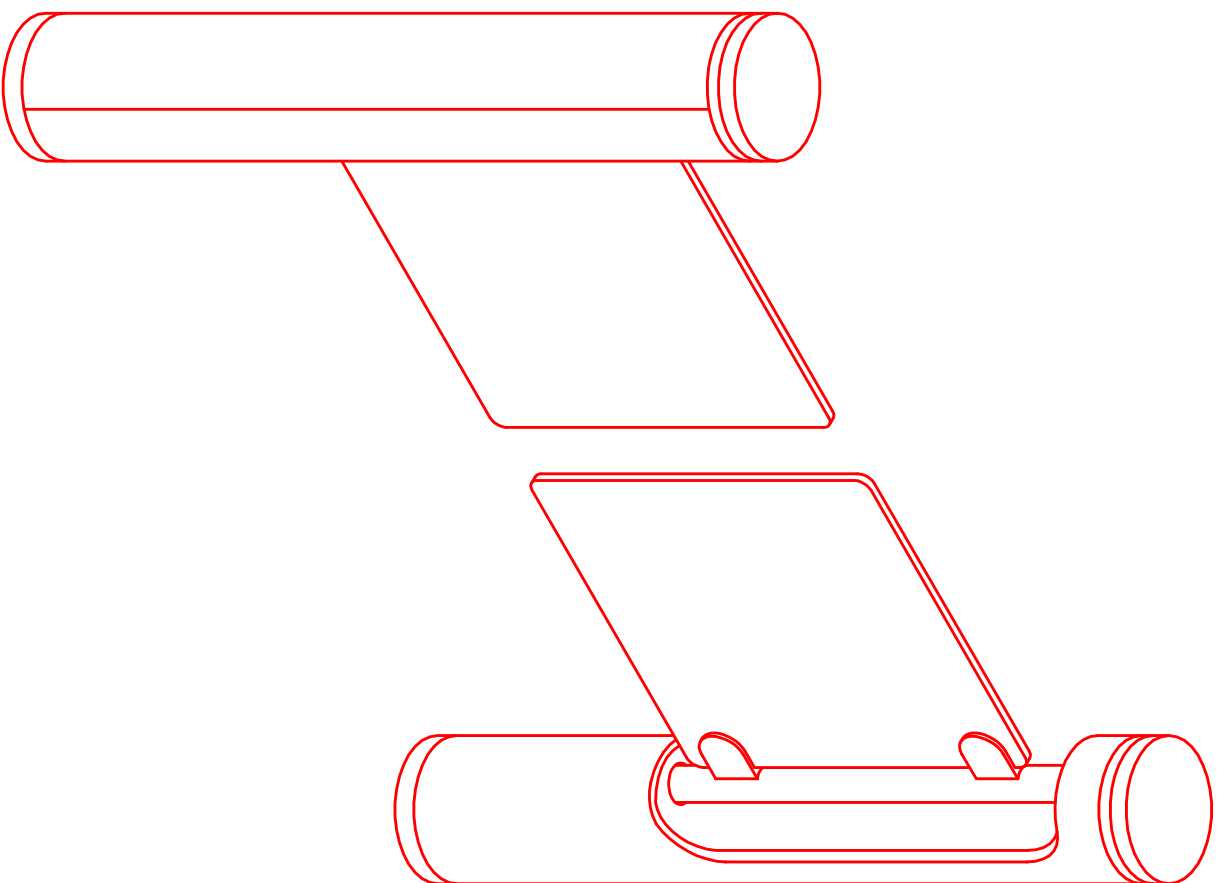
This document is the copyright of
Integrated Design Ltd



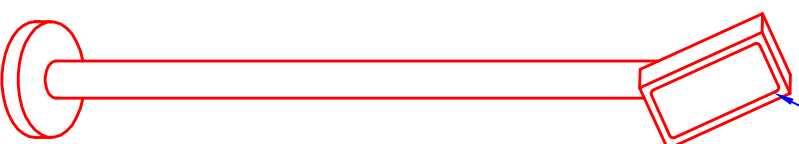


PRODUCT: INTELLIGATE	
TITLE: MATERIAL SPECIFICATIONS	
DRAWN: RST	DRAWING No: 5665_253_A0
DATE: 3.2.06	This document is the copyright of Integrated Design Ltd





CARD READER MOUNTED ON SEPARATE
STAINLESS STEEL POST



PRODUCT: INTELLIGATE

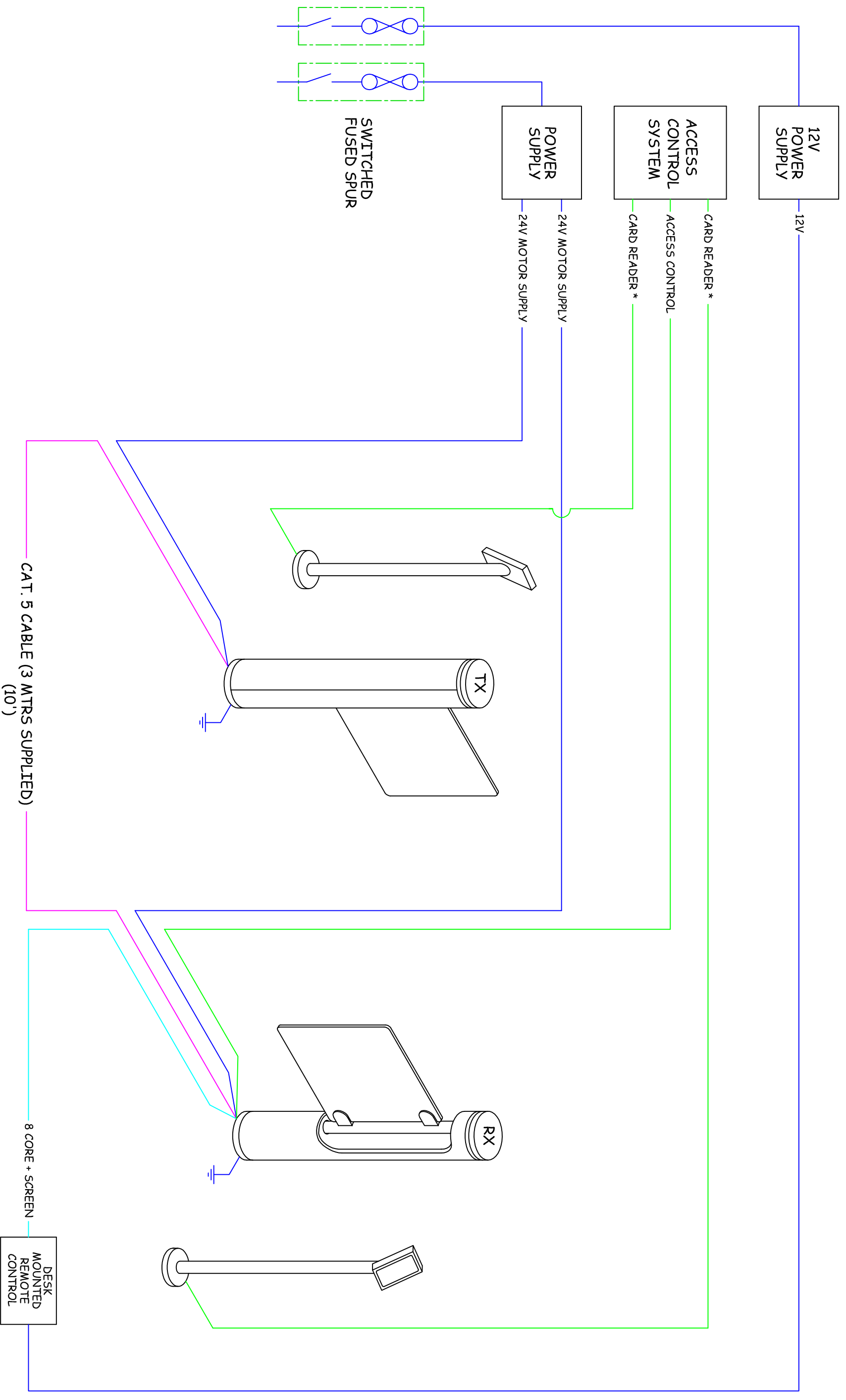
TITLE: CARD READER MOUNTING

DRAWN: RST DRAWING No: 5665_254_A0

DATE: 3.2.06

This document is the copyright of
Integrated Design Ltd





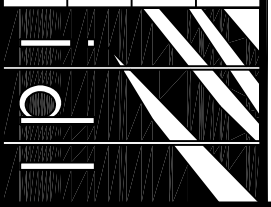
PRODUCT: INTELLIGATE

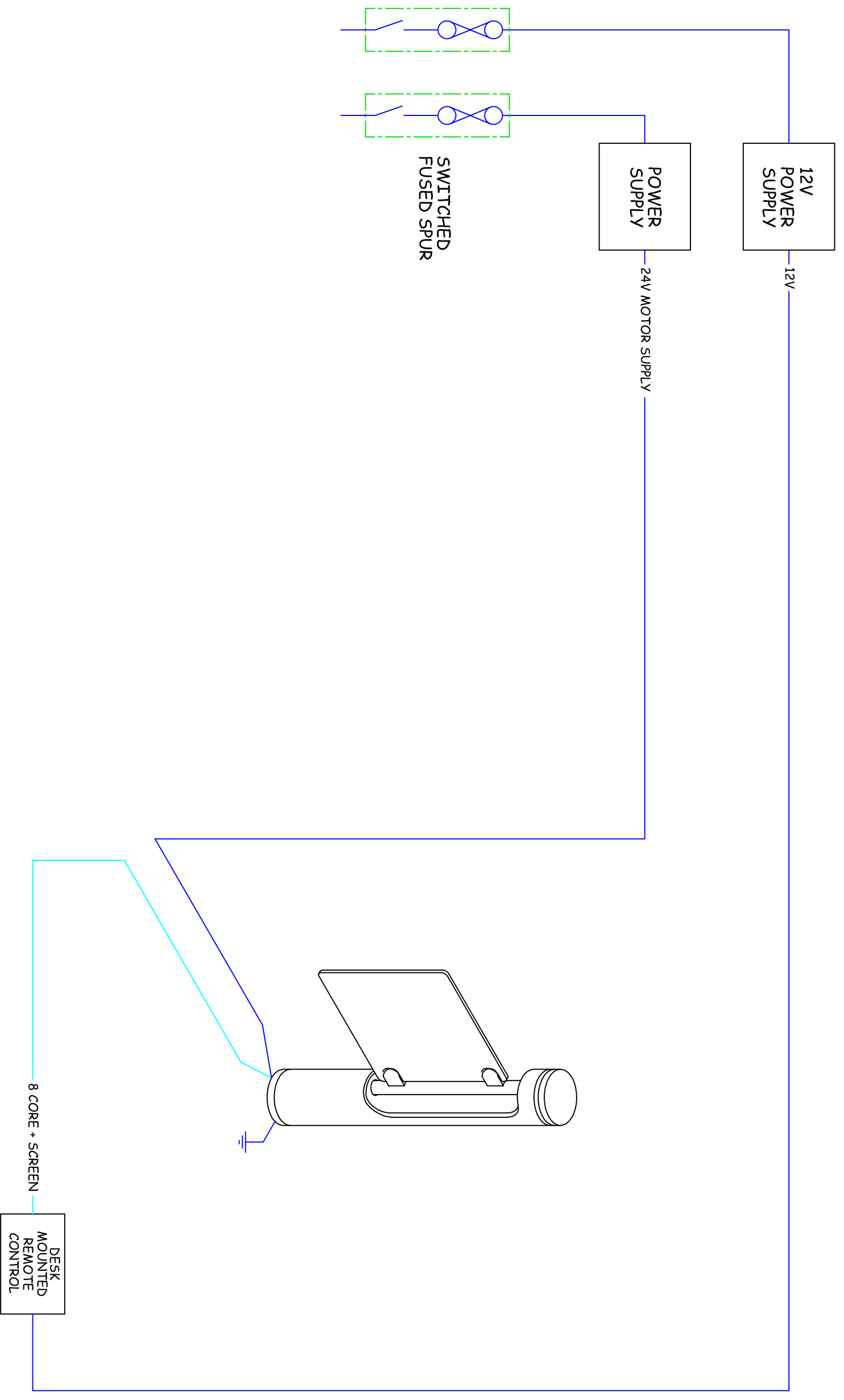
TITLE: CABLING REQUIREMENTS

DRAWN: RST DRAWING No: 5665_257_A0

DATE: 10.5.05

This document is the copyright of
Integrated Design Ltd





PRODUCT: PASSGATE

TITLE: CABLING REQUIREMENTS

DRAWN: RST DRAWING No: 5665_258_A0

DATE: 10.5.05

This document is the copyright of
Integrated Design Ltd

